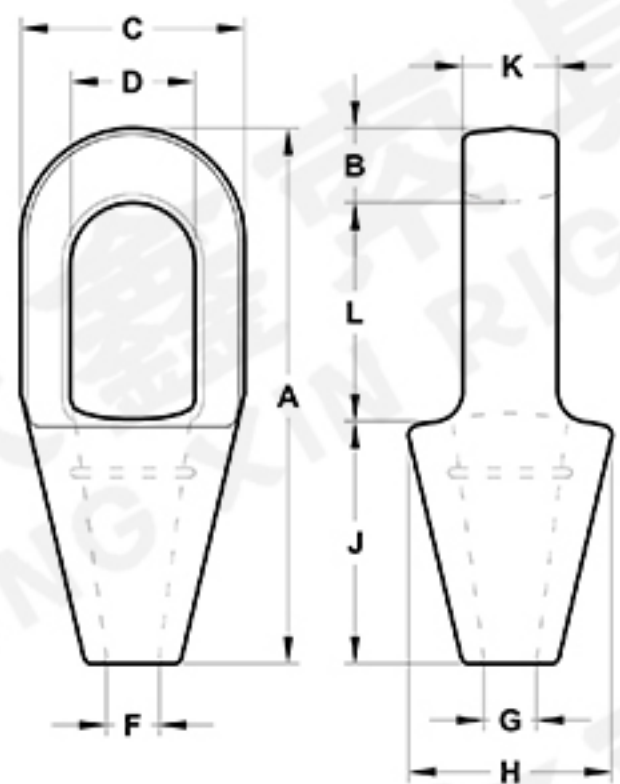


YXR1238

G416/S416 OPEN SPELTER SOCKETS

ITEM NO.	ROPE SIZE		UL* (T)	WT (LBS)	DIMENSIONS (IN)									
	(IN)	(MM)			A	C	D	F	G	H	J	L	M	N
YXR1238-01	1/4	6-7	4.5	1.10	4.56	0.75	0.69	0.38	0.69	1.56	2.25	1.56	1.31	0.56
YXR1238-02	5/16-3/8	8-10	12	1.30	4.84	0.81	0.81	0.50	0.81	1.69	2.25	1.75	1.50	0.44
YXR1238-03	7/16-1/2	10-13	20	2.25	5.56	1.00	1.00	0.56	0.94	1.88	2.50	2.00	1.88	0.50
YXR1238-04	9/16-5/8	14-16	27	3.60	6.75	1.25	1.19	0.69	1.13	2.25	3.00	2.50	2.25	0.56
YXR1238-05	3/4	18	43	5.83	7.94	1.50	1.38	0.81	1.25	2.62	3.50	3.00	2.62	0.62
YXR1238-06	7/8	20-22	55	9.65	9.25	1.75	1.63	0.94	1.50	3.25	4.00	3.50	3.13	0.80
YXR1238-07	1	24-26	78	15.50	10.56	2.00	2.00	1.13	1.75	3.75	4.50	4.00	3.75	0.88
YXR1238-08	1-1/8	28-30	92	21.50	11.81	2.25	2.25	1.25	2.00	4.12	5.00	4.62	4.12	1.00
YXR1238-09	1-1/4-1-3/8	32-35	136	31.00	13.19	2.50	2.50	1.50	2.25	4.75	5.50	5.00	4.75	1.13
YXR1238-10	1-1/2	38	170	47.25	15.12	3.00	2.75	1.63	2.75	5.25	6.00	6.00	5.38	1.19
YXR1238-11	1-5/8	40-42	188	55.00	16.25	3.00	3.00	1.75	3.00	5.50	6.50	6.50	5.75	1.38
YXR1238-12	1-3/4-1-7/8	44-48	288	82.00	18.25	3.50	3.50	2.00	3.13	6.38	7.50	7.00	6.50	1.50
YXR1238-13	2-2-1/8	50-54	291	129.00	21.50	4.00	3.75	2.25	3.75	7.38	8.50	9.00	7.00	1.81
YXR1238-14	2-1/4-2-3/8	56-60	360	167.00	23.50	4.50	4.25	2.50	4.00	8.25	9.00	10.00	7.75	2.13
YXR1238-15	2-1/2-2-5/8	64-67	424	252.00	25.50	5.00	4.75	2.88	4.50	9.25	9.75	10.75	8.50	2.38
YXR1238-16	2-3/4-2-7/8	70-73	511	315.00	27.25	5.25	5.00	3.12	4.88	10.50	11.00	11.00	9.00	2.28
YXR1238-17	3-2-1/8	75-80	563	380.00	29.00	5.75	5.25	3.38	5.25	11.12	12.00	11.25	9.50	3.00
YXR1238-18	3-1/4-3-3/8	82-86	722	434.00	30.88	6.25	5.50	3.62	5.75	11.88	13.00	11.75	10.00	3.12
YXR1238-19	3-1/2-3-5/8	88-92	779	563.00	33.25	6.75	6.00	3.88	6.50	12.38	14.00	12.50	10.75	3.25
YXR1238-20	3-3/4-4	94-102	875	783.00	36.25	7.50	7.00	4.25	7.25	13.62	15.00	13.50	12.50	3.50

◆ UL*: Ultimate Load.



YXR1239

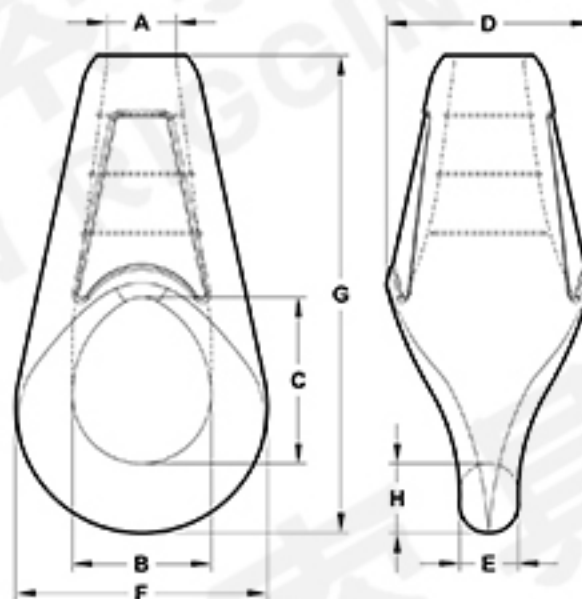
G417/S417 CLOSED SPELTER SOCKETS

ITEM NO.	ROPE SIZE		UL* (T)	WT (LBS)	DIMENSIONS (IN)									
	(IN)	(MM)			A	B	C	D	F	G	H	J	K	L
YXR1239-01	1/4	6-7	4.5	0.50	4.50	0.50	1.50	0.88	0.38	0.69	1.56	2.25	0.50	1.75
YXR1239-02	5/16-3/8	8-10	12	0.75	4.94	0.62	1.69	0.97	0.50	0.81	1.69	2.25	0.69	2.06
YXR1239-03	7/16-1/2	10-13	20	1.50	5.50	0.69	2.00	1.16	0.56	0.94	2.00	2.50	0.88	2.31
YXR1239-04	9/16-5/8	14-16	30.8	2.50	6.31	0.81	2.63	1.41	0.69	1.12	2.38	3.00	1.00	2.50
YXR1239-05	3/4	18	43.5	4.25	7.62	1.06	3.00	1.66	0.88	1.25	2.75	3.50	1.25	3.06
YXR1239-06	7/8	20-22	65.3	7.25	8.75	1.25	3.63	1.94	1.00	1.50	3.25	4.00	1.50	3.50
YXR1239-07	1	24-26	81.6	10.50	9.88	1.38	4.13	2.30	1.13	1.75	3.75	4.50	1.75	4.00
YXR1239-08	1-1/8	28-30	100	14.25	11.00	1.50	4.50	2.56	1.25	2.00	4.13	5.00	2.00	4.50
YXR1239-09	1-1/4-1-3/8	32-35	137	19.75	12.12	1.63	5.00	2.81	1.50	2.25	4.75	5.50	2.25	5.00
YXR1239-10	1-1/2	38	170	29.20	13.94	1.94	5.38	3.19	1.63	2.75	5.25	6.00	2.50	6.00
YXR1239-11	1-5/8	40-42	188	36.00	15.13	2.13	5.75	3.25	1.75	3.00	5.50	6.50	2.75	6.50
YXR1239-12	1-3/4-1-7/8	44-48	268	57.25	17.25	2.19	6.75	3.75	2.00	3.13	6.38	7.50	3.00	7.56
YXR1239-13	2-2-1/8	50-54	309	79.00	19.87	2.44	7.63	4.38	2.25	3.75	7.38	8.50	3.25	8.81
YXR1239-14	2-1/4-2-3/8	56-60	360	105.00	21.50	2.75	8.50	5.00	2.63	4.13	8.25	9.00	3.63	9.75
YXR1239-15	2-1/2-2-5/8	64-67	424	140.00	23.50	3.12	9.50	5.50	2.88	4.50	9.25	9.75	4.00	10.62
YXR1239-16	2-3/4-2-7/8	70-73	549	220.00	25.38	3.12	10.75	6.25	3.12	4.88	10.19	11.00	4.88	11.25
YXR1239-17	3-2-1/8	75-80	656	276.00	27.12	3.37	11.50	6.75	3.38	5.25	11.50	12.00	5.25	11.75
YXR1239-18	3-1/4-3-3/8	82-86	750	313.00	29.25	4.00	12.25	7.25	3.62	5.75	12.25	13.00	5.75	12.25
YXR1239-19	3-1/2-3-5/8	88-92	820	400.00	31.00	4.00	13.00	7.75	3.88	6.31	13.00	14.00	6.25	13.00
YXR1239-20	3-3/4-4	94-102	1005	542.00	33.25	4.25	14.25	8.50	4.25	7.25	14.25	15.00	7.00	14.00

◆ UL*: Ultimate Load.



YXR1240



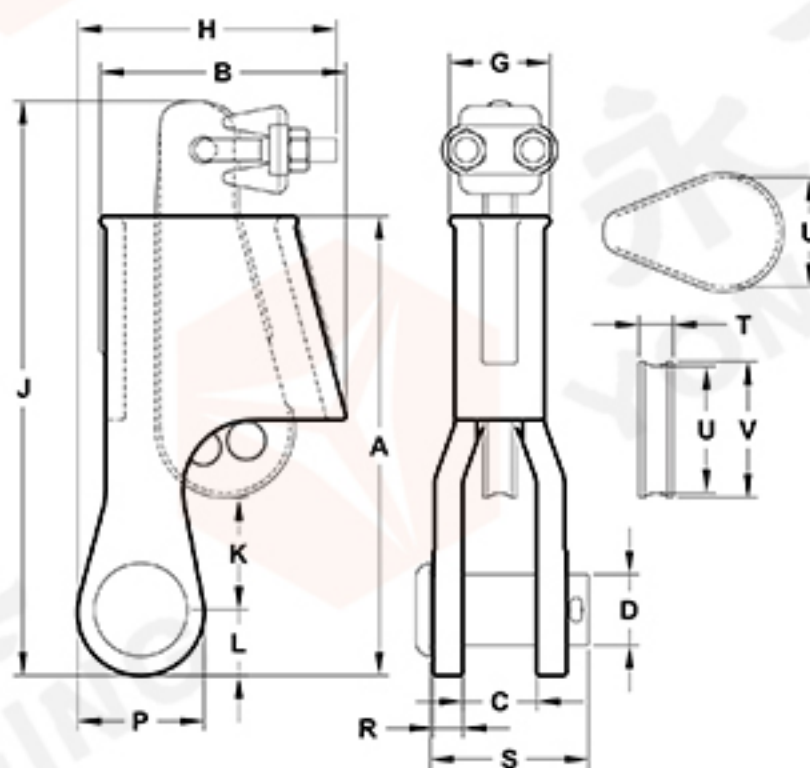
G517 MOORING SPELTER SOCKETS

ITEM NO.	WIRE ROPE SIZE		UL* (T)	WT (LBS)	DIMENSIONS (IN)							
	(IN)	(MM)			A	B	C	D	E	F	G	H
YXR1240-01	1-1/4 - 1-3/8	32-35	113	17	1.63	3.09	3.63	4.45	1.44	5.13	10.89	1.53
YXR1240-02	1-1/2 - 1-5/8	38-41	136	30	1.95	3.69	4.32	5.43	1.60	6.31	13.00	1.81
YXR1240-03	1-3/4 - 1-7/8	44-48	181	43	2.23	4.16	4.53	6.30	1.84	7.22	14.11	2.09
YXR1240-04	2 - 2-1/8	50-54	227	57	2.50	4.75	5.26	7.02	2.09	8.25	16.02	2.24
YXR1240-05	2-1/4 - 2-3/8	57-60	277	76	2.78	5.25	5.78	7.72	2.31	9.16	17.90	2.62
YXR1240-0	2-1/2 - 2-5/8	64-67	363	106	3.05	5.88	6.71	8.53	2.69	10.13	19.89	2.66
YXR1240-0	2-3/4 - 2-7/8	70-73	454	138	3.33	6.50	7.13	9.35	3.00	11.09	21.63	2.98
YXR1240-08	3 - 3-1/8	76-79	544	193	3.50	7.25	7.74	10.30	3.25	12.31	23.50	3.24
YXR1240-09	3-1/4 - 3-3/8	82-86	635	229	3.81	7.62	8.80	10.94	3.50	13.13	25.75	3.43
YXR1240-10	3-1/2 - 3-5/8	88-92	735	279	4.15	8.00	9.06	11.72	3.69	13.96	27.70	4.12
YXR1240-11	3-3/4 - 4	95-102	907	384	4.39	8.75	10.50	12.91	3.69	15.88	30.13	4.46

◆ UL*: Ultimate Load.



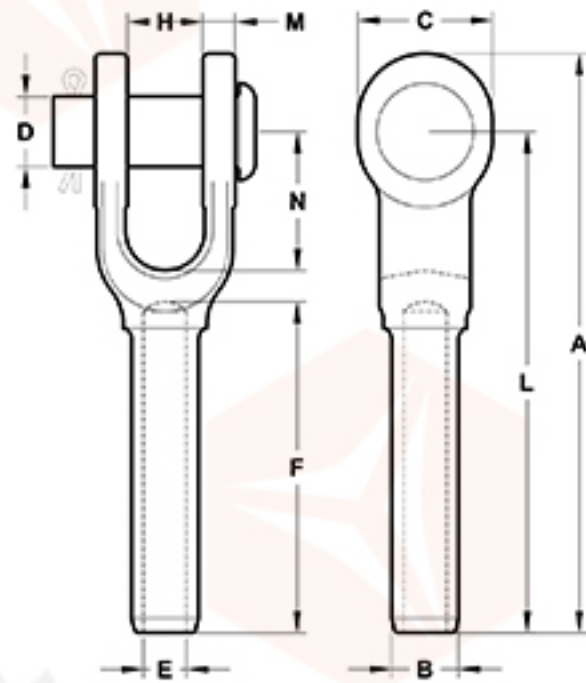
YXR1241



S421T WEDGE SOCKETS

ITEM NO.	WIRE ROPE SIZE			DIMENSIONS (IN)															
	SIZE (IN)	(MM)	WT (LBS)	A	B	C	D	G	H	J	K	L	P	R	S	T	U	V	
YXR1241-01	3/8	9-10	3.18	5.69	2.72	0.81	0.81	1.38	3.06	7.80	1.88	0.88	1.56	0.44	2.13	0.44	1.25	1.38	
YXR1241-02	1/2	11-13	6.15	6.88	3.47	1.00	1.00	1.62	3.76	8.91	1.26	1.06	1.94	0.50	2.56	0.53	1.75	1.88	
YXR1241-03	5/8	14-16	9.70	8.25	4.30	1.25	1.19	2.12	4.47	10.75	1.99	1.22	2.25	0.56	3.25	0.69	2.00	2.19	
YXR1241-04	3/4	18-19	14.50	9.88	5.12	1.50	1.38	2.44	5.28	12.36	2.41	1.40	2.63	0.66	3.63	0.78	2.34	2.56	
YXR1241-05	7/8	20-22	21.50	11.25	5.85	1.75	1.63	2.69	6.16	14.37	2.48	1.67	3.13	0.75	4.31	0.88	2.69	2.94	
YXR1241-06	1	24-26	30.75	12.81	6.32	2.00	2.00	2.94	6.96	16.29	3.04	2.00	3.75	0.88	4.70	1.03	2.88	3.28	
YXR1241-07	1-1/8	28	45.30	14.38	6.92	2.25	2.25	3.31	7.62	18.34	2.56	2.25	4.25	1.00	5.44	1.10	3.25	3.56	
YXR1241-08	1-1/4	30-32	64.90	16.34	8.73	2.62	2.62	3.56	9.39	20.48	2.94	2.34	4.50	1.06	6.13	1.19	4.62	4.94	

S501 OPEN SWAGE SOCKETS

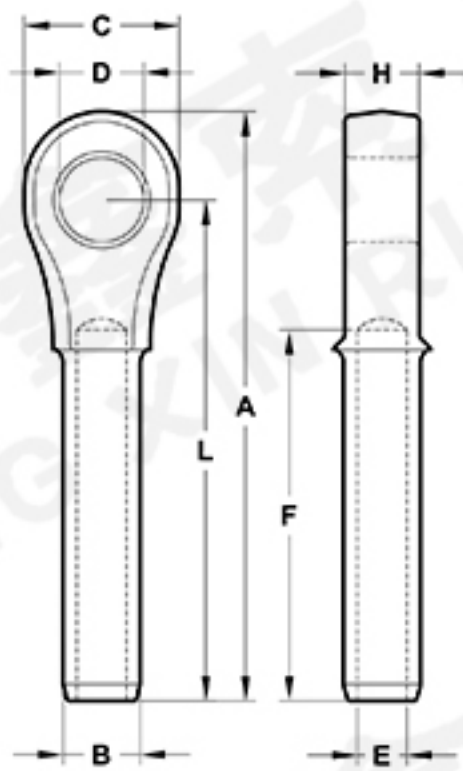


YXR1242

ITEM NO.	WIRE ROPE SIZE		UL* (T)	WT (LBS)	DIMENSIONS (IN)									
	(IN)	(MM)			A	B	C	D	E	F	H	L	M	N
YXR1242-01	1/4	6	5.4	0.52	4.78	0.50	1.38	0.69	0.27	2.19	0.69	4.00	0.38	1.47
YXR1242-02	5/16	8	11.8	1.12	6.30	0.78	1.62	0.81	0.34	3.25	0.80	5.34	0.48	1.67
YXR1242-03	3/8	9-10	13.6	1.30	6.30	0.78	1.62	0.81	0.41	3.25	0.80	5.34	0.48	1.67
YXR1242-04	7/16	11-12	18.1	2.08	7.82	1.01	2.00	1.00	0.49	4.31	1.00	6.69	0.56	1.96
YXR1242-05	1/2	13	21.3	2.08	7.82	1.01	2.00	1.00	0.55	4.31	1.00	6.69	0.56	1.96
YXR1242-06	9/16	14	31.8	4.67	9.54	1.27	2.38	1.19	0.61	5.38	1.25	8.13	0.68	2.21
YXR1242-07	5/8	16	34.9	4.51	9.54	1.27	2.38	1.19	0.68	5.38	1.25	8.13	0.68	2.21
YXR1242-08	3/4	18-20	43.5	7.97	11.61	1.56	2.75	1.38	0.80	6.44	1.50	10.00	0.80	2.69
YXR1242-09	7/8	22	51.5	11.52	13.37	1.72	3.13	1.63	0.94	7.50	1.75	11.63	0.94	3.20
YXR1242-10	1	24-26	71.4	17.80	15.47	2.00	3.69	2.00	1.07	8.63	2.00	13.38	1.07	3.68
YXR1242-11	1-1/8	28	83.3	25.25	17.35	2.25	4.12	2.25	1.19	9.63	2.25	15.00	1.19	4.18
YXR1242-12	1-1/4	32	109	35.56	19.20	2.53	4.59	2.50	1.34	10.69	2.50	16.50	1.27	4.68
YXR1242-13	1-3/8	34-36	136	43.75	21.10	2.81	5.25	2.50	1.46	11.88	2.41	18.13	1.46	5.25
YXR1242-14	1-1/2	38-40	181	58.50	23.17	3.08	5.50	2.75	1.59	12.81	3.00	19.75	1.70	5.70
YXR1242-15	1-3/4	44	228	88.75	26.70	3.40	6.25	3.50	1.87	15.06	3.50	23.00	2.11	6.67
YXR1242-16	2	48-52	272	146.2	31.15	3.94	7.80	3.75	2.12	17.06	4.00	26.75	1.81	8.19

◆ UL*: Ultimate Load.

S502 CLOSED SWAGE SOCKETS



YXR1243

ITEM NO.	WIRE ROPE SIZE		UL* (T)	WT (LBS)	DIMENSIONS (IN)							
	(IN)	(MM)			A	B	C	D	E	F	H	L
YXR1243-01	1/4	6	5.4	0.33	4.28	0.50	1.38	0.76	0.27	2.19	0.50	3.50
YXR1243-02	5/16	8	11.8	0.75	5.42	0.77	1.62	0.88	0.34	3.25	0.68	4.50
YXR1243-03	3/8	9-10	13.6	0.72	5.42	0.78	1.62	0.88	0.41	3.25	0.68	4.50
YXR1243-04	7/16	11-12	18.1	1.42	6.88	1.01	2.00	1.07	0.49	4.31	0.87	5.75
YXR1243-05	1/2	13	21.3	1.42	6.88	1.01	2.00	1.07	0.55	4.31	0.87	5.75
YXR1243-06	9/16	14	31.8	2.92	8.59	1.27	2.38	1.28	0.61	5.38	1.14	7.25
YXR1243-07	5/8	16	34.9	2.85	8.59	1.27	2.38	1.28	0.68	5.38	1.14	7.25
YXR1243-08	3/4	18-20	43.5	5.00	10.25	1.56	2.88	1.49	0.80	6.44	1.33	8.63
YXR1243-09	7/8	22	51.5	6.80	11.87	1.72	3.12	1.73	0.94	7.50	1.53	10.09
YXR1243-10	1	24-26	71.4	10.40	13.56	2.00	3.62	2.11	1.07	8.63	1.78	11.50
YXR1243-11	1-1/8	28	83.3	14.82	15.03	2.25	4.00	2.37	1.19	9.75	2.03	12.75
YXR1243-12	1-1/4	32	109	21.57	16.94	2.53	4.50	2.62	1.34	10.81	2.25	14.38
YXR1243-13	1-3/8	34-36	136	28.54	18.59	2.81	5.00	2.62	1.46	11.88	2.29	15.75
YXR1243-14	1-1/2	38-40	181	38.06	20.13	3.08	5.38	2.87	1.59	12.81	2.56	17.00
YXR1243-15	1-3/4	44	228	51.00	23.56	3.40	6.25	3.63	1.87	15.06	3.08	20.00
YXR1243-16	2	48-52	272	89.25	27.13	3.94	7.25	3.88	2.12	17.06	3.31	23.00

◆ UL*: Ultimate Load.