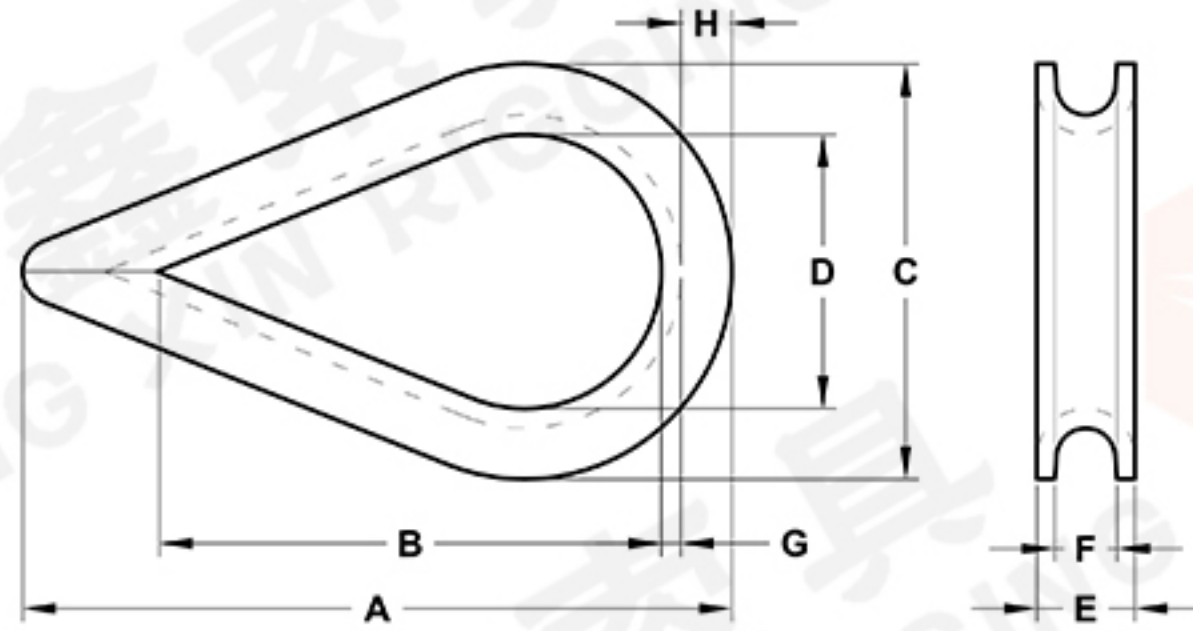


YXR1232

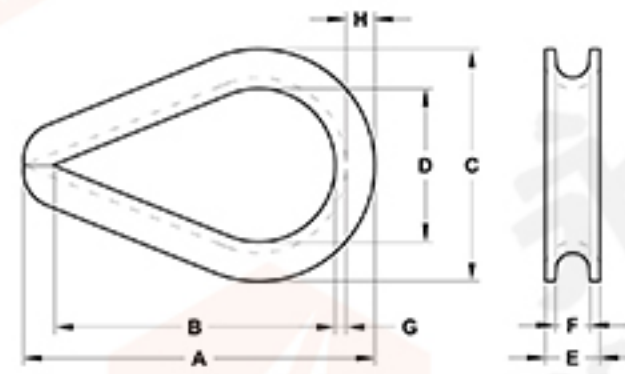


US STANDARD THIMBLE G411

ITEM NO.	ROPE SIZE		WEIGHT PER 100 (LBS)	DIMENSIONS (IN)							
	(IN)	(MM)		A	B	C	D	E	F	G	H
YXR1232-01	1/8	3-4	3.5	1.94	1.31	1.06	0.69	0.25	0.16	0.05	0.13
YXR1232-02	3/16	5	3.5	1.94	1.31	1.06	0.69	0.31	0.22	0.05	0.13
YXR1232-03	1/4	6-7	3.5	1.94	1.31	1.06	0.69	0.38	0.28	0.05	0.13
YXR1232-04	5/16	8	4.0	2.13	1.50	1.25	0.81	0.44	0.34	0.05	0.13
YXR1232-05	3/8	9-10	6.7	2.38	1.63	1.47	0.94	0.53	0.41	0.06	0.16
YXR1232-06	1/2	11-13	12.5	2.75	1.88	1.75	1.13	0.69	0.53	0.08	0.19
YXR1232-07	5/8	16	34.5	3.50	2.25	2.38	1.38	0.91	0.66	0.13	0.34
YXR1232-08	3/4	18-20	47.1	3.75	2.50	2.69	1.63	1.08	0.78	0.14	0.34
YXR1232-09	7/8	22	84.6	5.00	3.50	3.19	1.88	1.27	0.94	0.16	0.44
YXR1232-10	1	24-26	97.5	5.69	4.25	3.75	2.50	1.39	1.06	0.16	0.41
YXR1232-11	1-1/8-1-1/4	28-32	175	6.25	4.50	4.31	2.75	1.75	1.31	0.22	0.50



YXR1233

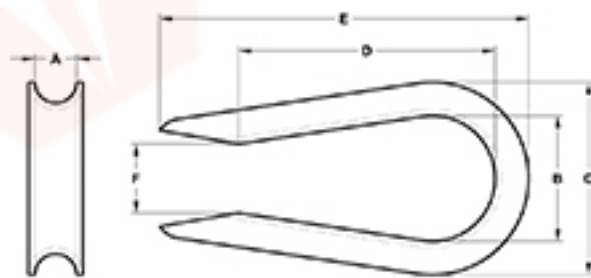


US HEAVY DUTY THIMBLE G414

ITEM NO.	ROPE SIZE		WEIGHT PER 100 (LBS)	DIMENSIONS (IN)							
	(IN)	(MM)		A	B	C	D	E	F	G	H
YXR1233-01	1/4	6-7	7	2.19	1.62	1.50	0.88	0.41	0.28	0.06	0.25
YXR1233-02	5/16	8	14	2.50	1.88	1.81	1.06	0.50	0.34	0.08	0.30
YXR1233-03	3/8	9-10	23	2.88	2.12	2.12	1.12	0.63	0.41	0.11	0.39
YXR1233-04	7/16	11-12	37	3.25	2.38	2.38	1.25	0.72	0.47	0.12	0.45
YXR1233-05	1/2-9/16	13-15	50	3.62	2.75	2.75	1.50	0.89	0.59	0.15	0.48
YXR1233-06	5/8	16	82	4.25	3.25	3.12	1.75	1.00	0.66	0.16	0.53
YXR1233-07	3/4	18-20	157	5.00	3.75	3.81	2.00	1.22	0.78	0.22	0.69
YXR1233-08	7/8	22	190	5.50	4.25	4.25	2.25	1.38	0.94	0.22	0.78
YXR1233-09	1	24-26	280	6.12	4.50	4.75	2.50	1.56	1.06	0.25	0.88
YXR1233-10	1-1/8-1-1/4	28-32	-	7.00	5.12	5.88	2.88	1.88	1.31	0.25	1.25
YXR1233-11	1-1/4-1-3/8	32-35	830	9.08	6.50	6.81	3.50	2.25	1.44	0.37	1.29
YXR1233-12	1-3/8-1-1/2	35-38	1250	9.00	6.25	7.12	3.50	2.62	1.56	0.50	1.31
YXR1233-13	1-5/8	40	-	11.25	8.00	8.12	4.00	3.00	1.72	0.50	1.38
YXR1233-14	1-3/4	44	1860	12.19	9.00	8.50	4.50	3.06	1.84	0.50	1.50
YXR1233-15	1-7/8-2	48-52	2780	15.12	12.00	10.38	6.00	3.38	2.09	0.50	1.69
YXR1233-16	2-1/4	56	-	17.50	14.00	11.88	7.00	3.88	2.38	0.62	1.82



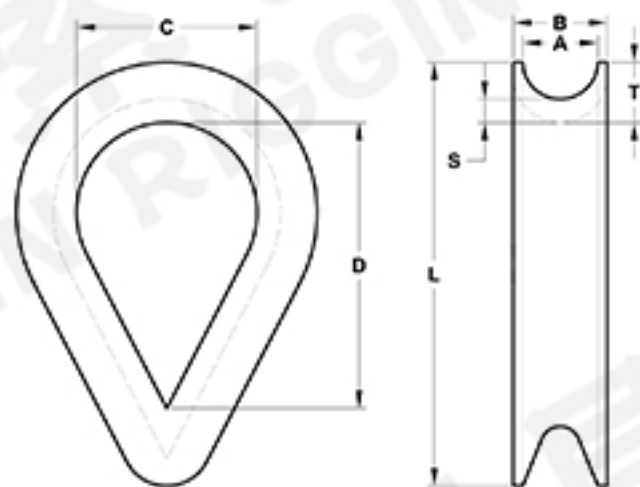
### US TYPE OPEN PATTERN THIMBLES G408



YXR1234

ITEM NO.	SIZE (IN)	WEIGHT PER 100 (LBS)	DIMENSIONS (IN)					
			A	B	C	D	E	F
YXR1234-01	1/4	3	0.28	0.69	1.06	1.41	2.03	0.38
YXR1234-02	5/16	3.8	0.34	0.81	1.25	1.53	2.16	0.50
YXR1234-03	3/8	7	0.44	0.94	1.47	1.72	2.47	0.62
YXR1234-04	1/2	12.5	0.53	1.12	1.75	1.97	2.84	0.75
YXR1234-05	5/8	25	0.66	1.38	2.38	2.34	3.59	1.00

### DIN6899B THIMBLE

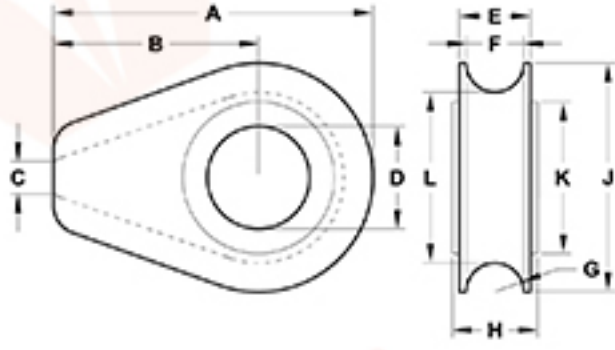


YXR1235

ITEM NO.	SIZE (MM)	DIMENSIONS (MM)					
		A	B	C	D	S	T
YXR1235-01	2.5	2.5-3	4.5	12	19	1.6	4
YXR1235-02	3.5	3.5-4	5.5	13	21	1.6	4.25
YXR1235-03	4	4-5	6.5	14	23	1.9	4.5
YXR1235-04	5	5-6	7.5	16	25	2.4	6.5
YXR1235-05	6	6-7	8.5	18	28	2.4	7
YXR1235-06	7	7-8	10	20	32	2.8	8
YXR1235-07	9	9-10	12.5	24	38	3.1	8
YXR1235-08	11	11-12	15	28	45	3.3	9.5
YXR1235-09	13	13×13	16	30	48	3.3	10
YXR1235-10	13×14	13-14	17.5	32	51	3.7	11
YXR1235-11	15	15-16	20	36	58	3.8	12.5
YXR1235-12	17×17	17×17	21	38	61	4.5	13
YXR1235-13	16	16-18	22	40	64	4.7	13
YXR1235-14	18	18-20	24.5	45	72	5.7	15
YXR1235-15	20	20-22	27	50	80	5.7	16
YXR1235-16	22	22-24	30	56	90	6.5	17
YXR1235-17	24	24-26	33	62	99	6.8	21.5
YXR1235-18	26	26-28	35	70	112	8	23
YXR1235-19	28	28-30	37	75	120	8	25.5
YXR1235-20	30	30-32	39	80	128	8	26.5
YXR1235-21	32	32-34	41	95	152	8	27
YXR1235-22	34	34-36	43	100	160	8.5	27.5
YXR1235-23	36	36-38	45	110	176	8.5	27.5
YXR1235-24	38	38-40	48	115	184	10.5	33
YXR1235-25	40	40-42	50	120	192	10.5	33
YXR1235-26	42	42-45	57	150	240	10.5	37.5
YXR1235-27	46	46-48	58	160	256	14	42
YXR1235-28	50	50-52	60	170	272	16	46
YXR1235-29	54	54-56	64	180	288	20	52
YXR1235-30	56	56-58	67	180	299	21	53
YXR1235-31	62	62-64	74	190	300	22	55
YXR1235-32	64	64-66	77	200	320	23	56



**US TYPE SOLID WIRE ROPE THIMBLES S412**

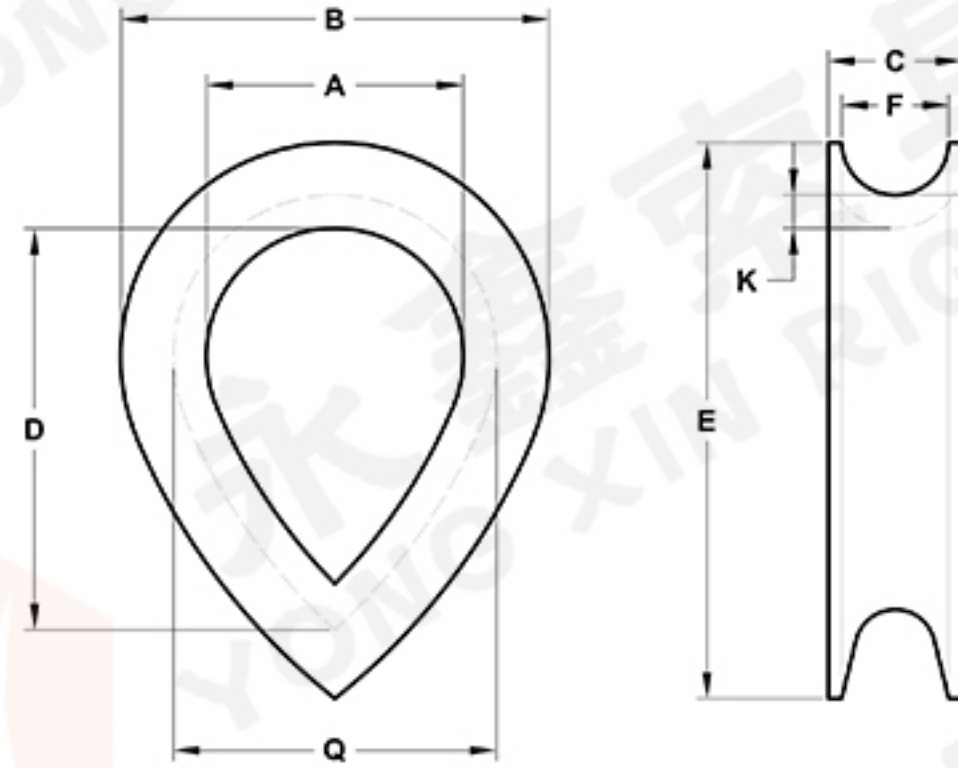


**YXR1236**

ITEM NO.	ROPE SIZE		WEIGHT PER 100 (LBS)	DIMENSIONS (IN)										
	(IN)	(MM)		A	B	C	D	E	F	G	H	J	K	L
YXR1236-01	1/2	13	0.61	2.81	1.75	0.25	1.06	0.75	0.56	0.28	0.88	2.13	1.63	1.56
YXR1236-02	5/8	16	2.21	4.69	3.00	0.38	1.31	1.06	0.81	0.41	1.13	3.38	2.25	2.56
YXR1236-03	3/4	18-20	2.32	4.69	3.00	0.38	1.50	1.06	0.81	0.41	1.38	3.38	2.25	2.56
YXR1236-04	7/8	22	5.45	6.06	3.81	0.50	1.75	1.38	1.06	0.53	1.63	4.50	3.25	3.44
YXR1236-05	1	24-26	5.25	6.06	3.81	0.50	2.13	1.38	1.06	0.53	1.81	4.50	3.25	3.44
YXR1236-06	1-1/8	28-30	9.29	7.25	4.56	0.63	2.38	1.75	1.31	0.66	2.06	5.38	3.88	4.06
YXR1236-07	1-1/4 - 1-3/8	32-35	9.81	7.25	4.56	0.63	2.63	1.94	1.53	0.78	2.31	5.38	3.88	4.13



**YXR1237**



**BS464 THIMBLES**

ITEM NO.	NOMINAL DIA OF ROPE		APPROX CIRCLE IN	A		B		C		D		E		F		G		K		Q	
	IN	MM		IN	MM	IN	MM	IN	MM	IN	MM	IN	MM	IN	MM	IN	MM	IN	MM	IN	MM
YXR1237-01	5/16	8	1	7/8	22.2	1-1/2	1/2	12.7	1-5/16	33.4	2-1/8	52	4/16	7.9	5/32	4	5/32	4	1-3/16	30.1	
YXR1237-02	3/8	9	1-1/4	1	25.4	1-7/8	9/16	14.3	1-1/2	38	2-1/2	64	13/32	10.3	1/4	6.3	3/16	4.8	1-3/8	35	
YXR1237-03	7/16	11	1-1/2	1-1/8	28.6	2-1/8	11/16	17.5	1-1/2	41.3	2-7/8	73	1/2	12.7	5/16	7.9	3/16	4.8	1-1/2	38	
YXR1237-04	1/2	13	1-5/8	1-1/4	31.7	2-5/16	13/16	20.6	1-3/4	44.5	3-1/8	79.4	9/16	14.3	5/16	7.9	7/32	5.5	1-11/16	42.9	
YXR1237-05	9/16	14	1-3/4	1-1/4	31.7	2-5/16	13/16	20.6	1-3/4	44.5	3-1/8	79.4	9/16	14.3	5/16	7.9	7/32	5.5	1-11/16	42.9	
YXR1237-06	5/8	16	2	1-5/8	41.3	2-15/16	7/8	22.2	2-5/16	58.8	3-7/8	95.8	5/8	15.9	11/32	8.7	5/16	7.9	2-1/4	56	
YXR1237-07	11/16	17	2-1/4	1-3/4	44.5	3-1/8	1-1/8	28.6	2-5/8	66.6	4-1/4	108	3/4	19	3/8	9.5	5/16	7.9	2-3/8	60.4	
YXR1237-08	3/4	19	2-3/8	2	50.8	3-5/8	1-1/8	28.6	2-7/8	73	4-7/8	124	13/16	20.6	7/16	11.1	3/8	9.5	2-3/4	69.8	
YXR1237-09	13/16	21	2-1/2	2	50.8	3-5/8	1-1/8	28.6	2-7/8	73	4-7/8	121	13/16	20.6	7/16	11.1	3/8	9.5	2-3/4	69.8	
YXR1237-10	7/8	22	2-3/4	2-1/4	56	4	1-1/4	31.7	3-1/4	82.5	4-1/4	131	7/8	22.2	1/2	12.7	3/8	9.5	3	76.2	
YXR1237-11	15/16	24	3	2-1/2	64	5-11/16	1-5/16	33.4	3-5/8	92	5-3/4	146	1	25.4	1/2	12.7	13/32	10.3	3-5/16	84	
YXR1237-12	1	25	3-1/4	2-3/4	69.8	5-11/16	1-3/8	35	4-1/4	108	6-3/8	162	1-1/16	27	9/16	14.3	13/32	10.3	3-9/16	90.5	
YXR1237-13	1-1/8	29	3-1/2	3	76.2	5-1/4	1-1/8	38	4-3/8	112	7	178	1-1/8	28.6	5/8	15.9	1/2	12.7	4	102	
YXR1237-14	1-1/4	32	4	3-3/4	95	6	1-5/8	41.3	5-1/4	133	7-3/4	197	1-5/16	33.4	5/8	15.9	1/2	12.7	4-3/4	121	
YXR1237-15	1-3/8	35	4-1/2	4-1/8	105	6-7/8	1-7/8	47.6	6	152	9	228	1-1/2	38	3/4	19	5/8	15.9	5-3/8	137	
YXR1237-16	1-1/2	38	5	4-1/2	114	7-3/4	2-1/8	52	6-1/2	165	10	254	1-5/8	41.3	15/16	23.8	1-1/16	17.5	5-7/8	149	
YXR1237-17	1-5/8	41	5-1/4	4-1/2	114	7-3/4	2-3/16	58.6	6-1/2	165	10	254	1-11/16	42.9	15/16	23.8	1-1/16	17.5	5-7/8	149	
YXR1237-18	1-3/4	44	5-1/2	5	127	9	2-1/4	56	7	178	11-1/4	286	2	50.8	1	25.4	1	25.4	7	178	
YXR1237-19	1-7/8	48	6	5-1/4	133	9-3/4	2-5/8	66.6	7-1/2	190	12-1/4	317	2-3/8	60.4	1-1/8	28.6	1-1/8	28.6	7-1/2	190	
YXR1237-20	2	51	6-1/4	5-1/2	140	10-1/8	2-2/4	69.8	8	203	13	330	2-1/8	64	1-3/16	30.1	1-1/8	28.6	7-3/4	197	
YXR1237-21	2-1/8	54	6-1/2	5-1/2	140	10-1/8	2-3/4	69.8	8	203	13	330	2-1/2	64	1-3/16	30.1	1-1/8	28.6	7-3/4	197	
YXR1237-22	2-1/4	57	7	5-3/4	146	10-5/8	3	76.2	8-1/2	216	14	356	2-5/8	66.6	1-1/4	31.7	1-3/16	30.1	8-1/3	206	
YXR1237-23	2-1/2	64	8	6-1/4	159	12-1/4	3-3/4	95	9-1/2	242	16-1/4	414	2-3/4	69.8	1-3/4	44.5	1-1/4	31.7	8-3/4	222	



OTHER THIMBLES

