

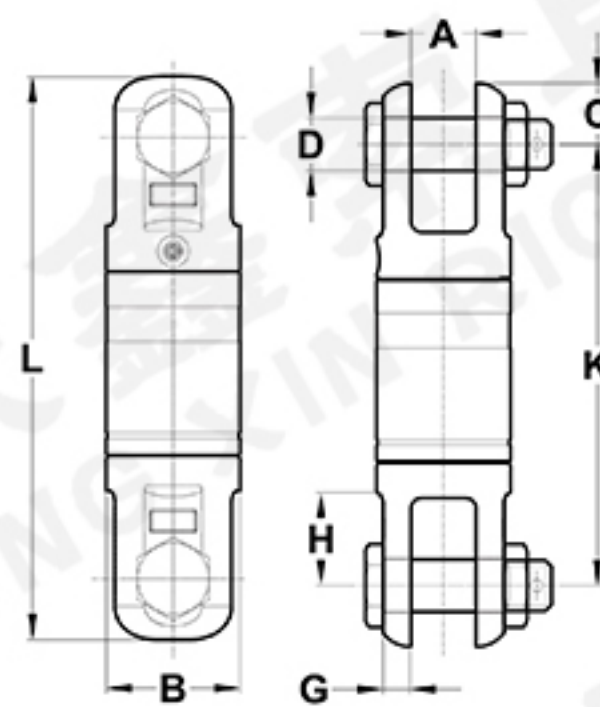
### ANGULAR CONTACT BEARING SWIVELS-STYLE

ITEM NO.	SIZE (T)	WT (KG)	WLL (T)	DIMENSIONS (MM)						
				B	K	L	C	A	D	H
YXR1078-01	0.75	0.5	0.75	34	107	131	12	15	10	22
YXR1078-02	1.5	0.8	1.5	40	119	131	16	18	12	26
YXR1078-03	3	2.0	3	53	160	210	25	23	16	32
YXR1078-04	5	3.9	5	67	205	267	31	32	22	37
YXR1078-05	8.5	6.7	8.5	78	246	316	35	37	24	50
YXR1078-06	10	18.6	10	106	316	408	46	42	38	53
YXR1078-07	15	19.9	15	119	330	426	48	48	38	56
YXR1078-08	25	36.5	25	137	403	525	61	62	50	69
YXR1078-09	35	47.6	35	154	423	545	61	62	50	69

◆ Ultimate Load at 4 Times the Working Load Limit.



YXR1078



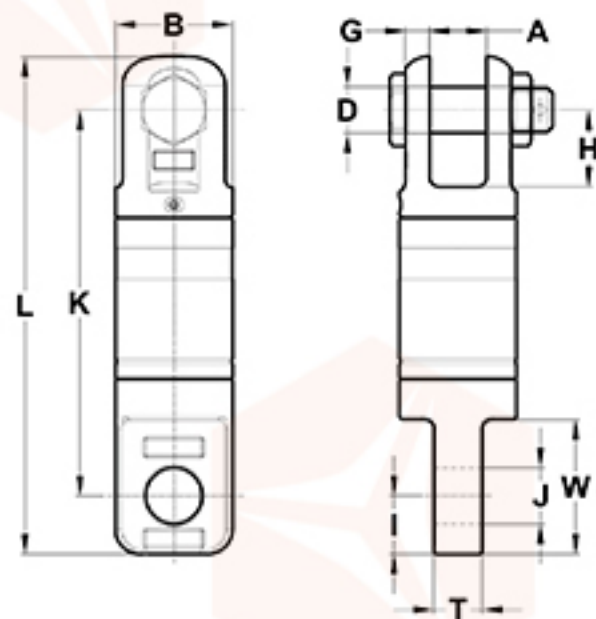
### ANGULAR CONTACT BEARING SWIVELS-UU

ITEM NO.	SIZE (T)	WT (KG)	WLL (T)	DIMENSIONS (MM)							
				B	K	L	C	A	D	G	H
YXR1079-01	0.75	0.5	0.75	34	107	133	13	15	10	6	22
YXR1079-02	1.5	0.9	1.5	40	119	159	20	18	13	8	26
YXR1079-03	3	2.3	3	53	160	210	25	23	19	10	32
YXR1079-04	5	4.4	5	67	203	267	32	32	22	14	37
YXR1079-05	8.5	7.6	8.5	78	250	326	38	40	30	14	54
YXR1079-06	10	19.5	10	106	310	410	50	42	38	25	54
YXR1079-07	15	21.7	15	119	320	440	60	48	38	25	57
YXR1079-08	25	39.5	25	137	405	535	65	62	50	30	70
YXR1079-09	35	46.2	35	154	415	545	65	62	50	33	70
YXR1079-10	60	352	60	570	670	890	110	100	80	75	120

◆ Ultimate Load at 4 Times the Working Load Limit.



YXR1079



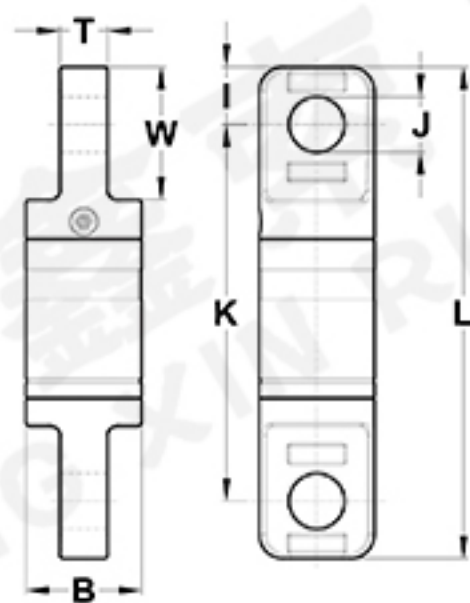
### ANGULAR CONTACT BEARING SWIVELS-UO

ITEM NO.	SIZE (T)	WT (KG)	WLL (T)	DIMENSIONS (MM)										
				B	K	L	A	G	D	H	T	J	W	I
YXR1080-01	0.75	0.5	0.75	34	107	133	15	6	10	22	12	10.5	35	13
YXR1080-02	1.5	0.9	1.5	40	119	159	18	8	13	26	15	13.5	46	20
YXR1080-03	3	2.2	3	53	160	210	23	10	19	32	20	20	57	25
YXR1080-04	5	4.4	5	67	203	267	32	14	22	37	26	33	69	32
YXR1080-05	8.5	7.4	8.5	78	250	326	40	14	30	54	32	37	92	38
YXR1080-06	10	18.0	10	106	310	410	42	25	38	54	42	44	104	50
YXR1080-07	15	21.2	15	119	320	440	48	25	38	57	49	54	117	60
YXR1080-08	25	40.0	25	137	405	540	62	30	50	70	60	66	140	70
YXR1080-09	35	46.7	35	154	415	550	62	33	50	70	60	66	140	70
YXR1080-10	60	302	60	270	670	890	100	75	80	120	75	80	230	110

◆ Ultimate Load at 4 Times the Working Load Limit.



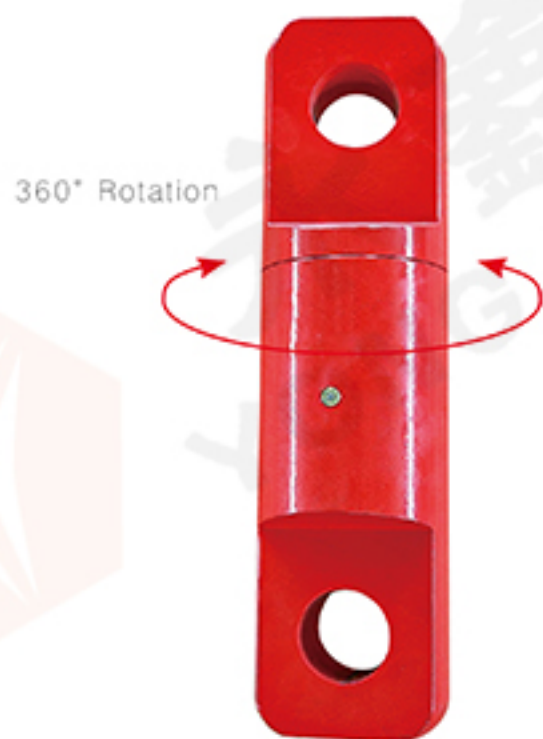
YXR1080



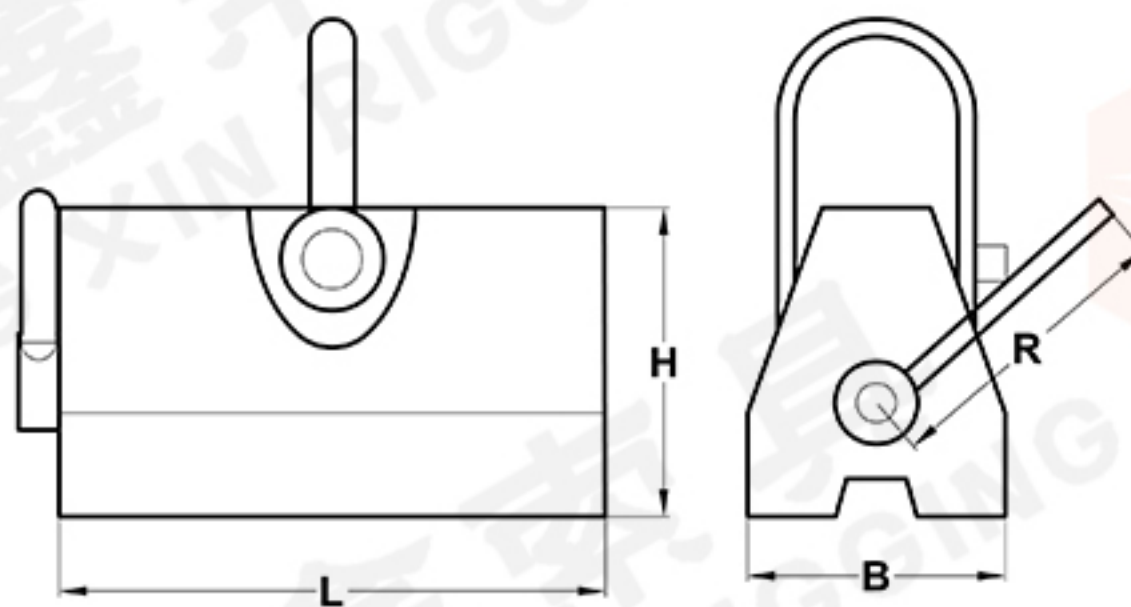
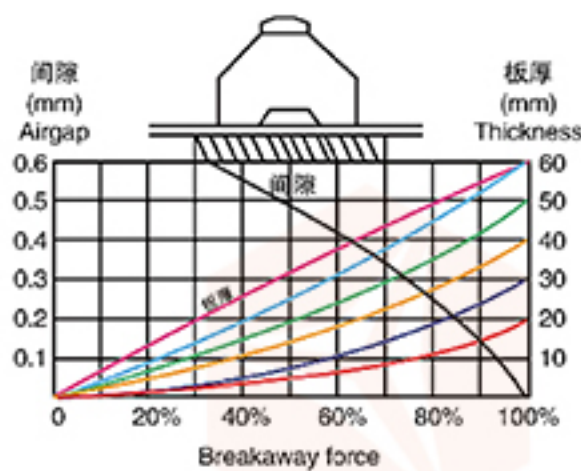
### ANGULAR CONTACT BEARING SWIVELS-OO

ITEM NO.	SIZE (T)	WT (KG)	WLL (T)	DIMENSIONS (MM)						
				B	K	L	I	T	J	W
YXR1081-01	0.75	0.5	0.75	34	107	133	13	12	10.5	35
YXR1081-02	1.5	0.9	1.5	40	119	159	20	15	13.5	46
YXR1081-03	3	2.1	3	53	160	210	25	20	20	57
YXR1081-04	5	4.3	5	67	203	267	32	26	33	69
YXR1081-05	8.5	7.3	8.5	78	250	326	38	32	37	92
YXR1081-06	10	17.0	10	106	310	410	50	42	44	104
YXR1081-07	15	21.2	15	119	320	440	60	49	54	117
YXR1081-08	25	39.0	25	137	405	545	70	60	66	140
YXR1081-09	35	45.8	35	154	415	555	70	60	66	140
YXR1081-10	60	235	60	270	670	890	110	75	80	230

◆ Ultimate Load at 4 Times the Working Load Limit.



YXR1081



### PERMANENT MAGNETIC LIFTER

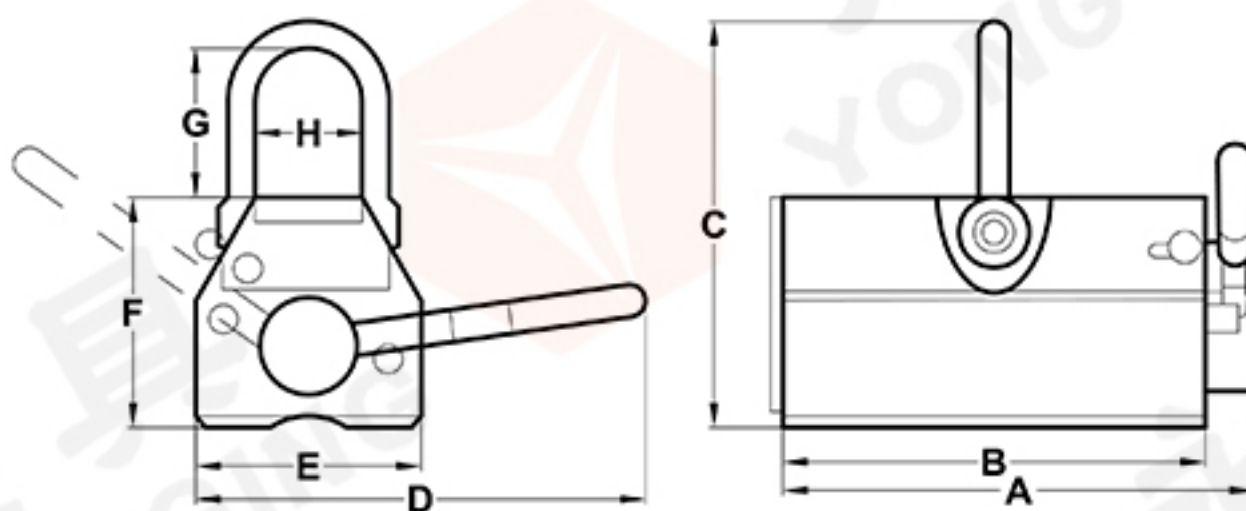


YXR1082

ITEM NO.	RATED CAPACITY (KG)	MAX. DRAG FORCE (KG)	N.W (KG)	DIMENSIONS (MM)			
				L	B	H	R
YXR1082-01	100	300	3	90	63	68	145
YXR1082-02	400	1200	11	160	95	180	160
YXR1082-03	600	1800	20	220	115	125	230
YXR1082-04	1000	3000	40	260	145	145	280
YXR1082-05	1500	3750	48	310	145	145	280
YXR1082-06	2000	5000	60	340	165	165	280
YXR1082-07	3000	7500	90	420	185	185	410
YXR1082-08	4000	10500	120	480	200	200	510
YXR1082-09	5000	15000	400	580	300	300	650



YXR1083



### PERMANENT MAGNETIC LIFTER

ITEM NO.	RATED CAPACITY (KG)	MAX. DRAG FORCE (KG)	N.W (KG)	DIMENSIONS (MM)							
				A	B	C	D	E	F	G	H
YXR1083-01	100	220	3	107	84	120	125	60	71	41	30
YXR1083-02	300	660	11	180	155	156	185	90	93	51	41
YXR1083-03	600	1320	20	255	224	212	260	115	120	77	52
YXR1083-04	1000	2200	40	280	245	286	371	165	169	97	87

LIFTING EQUIPMENT

