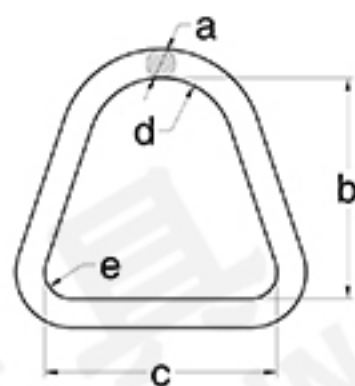


YXR1034

ALLOY FORGED TRIANGLE RING

ITEM NO.	SIZE (IN.)	WLL (LBS.)	MBS (LBS.)	WEIGHT (KG)	DIMENSIONS (MM)		
					A	B	C
YXR1034-01	2	2750	11000	0.44	80.3	56	12
YXR1034-02	3	4500	18000	0.79	109.4	80	14
YXR1034-03	4	5000	20000	1.37	142.0	108	16

◆ Ultimate Load at 4 Times the Working Load Limit.

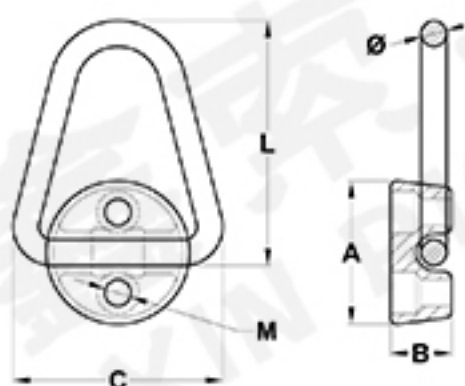


YXR1035

TRIANGULAR LINK B.S. 2837-TABLE 1-1988

ITEM NO.	CLASS	WEIGHT (KG)	SWL (T)	MBL (T)	DIMENSIONS (MM)				
					a	b	c	d	e
YXR1035-01	A	0.15	0.32	1.6	10	67	67	25	8
YXR1035-02	B	0.26	0.50	2.5	12	67	67	25	8
YXR1035-03	C	0.35	0.80	4.0	14	67	67	25	8
YXR1035-04	D	0.90	1.25	6.25	19	115	93	38	14
YXR1035-05	E	1.23	2.00	10.0	22	115	93	38	14
YXR1035-06	F	1.75	3.20	16.0	26	115	93	38	14

◆ Ultimate Load at 4 Times the Working Load Limit.

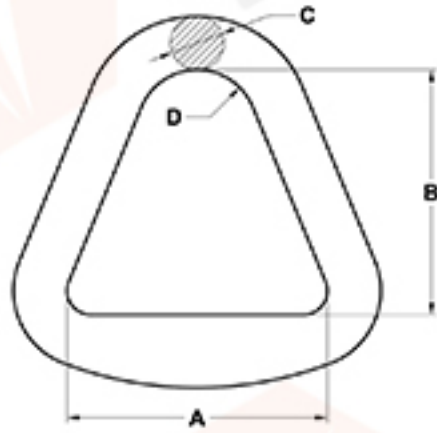


YXR1036

FORGED TRIANGLE RING WITH BASE

ITEM NO.	SIZE	WLL (LBS.)	BLL (LBS.)	WEIGHT (KG)	DIMENSIONS (MM)					
					A±2	Φ±2	B±2	C±3	L±3	M±3
YXR1036-01	2000	2000	12000	0.3	44.5	8	19	65	76	8.3

◆ Ultimate Load at 4 Times the Working Load Limit.

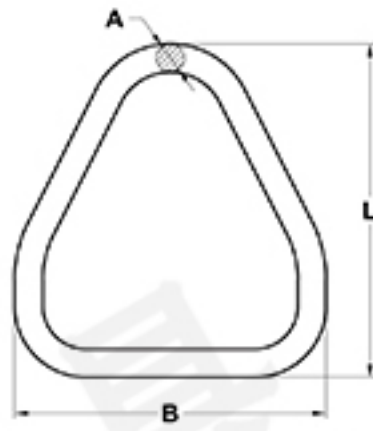


YXR1037

FLAT DELTA RING

ITEM NO.	SIZE (IN)	MBS (LBS)	WEIGHT (LBS)	DIMENSIONS (MM)			
				A	B	C	D
YXR1037-01	3	14400	1.63	81	85.7	17.0	17.5
YXR1037-02	4	4000	3.15	108	101.6	22.2	25

◆ Ultimate Load at 4 Times the Working Load Limit.

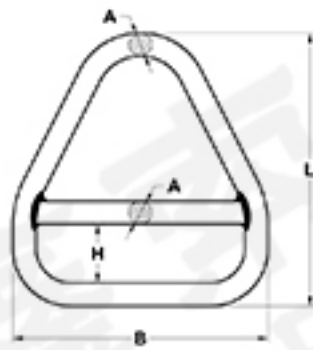


YXR1038

ALLOY TRIANGLE RING FOR WEB SLING

ITEM NO.	SIZE	WEIGHT (KG)	WLL (T)	BLL (T)	DIMENSIONS (MM)		
					A	B	L
YXR1038-01	2T	0.81	2	8	16	145	194
YXR1038-02	3T	1.66	3	12	20	199	248
YXR1038-03	4T	2.25	4	16	22	243	260
YXR1038-04	6T	4.91	6	24	28	340	340

◆ Ultimate Load at 4 Times the Working Load Limit.

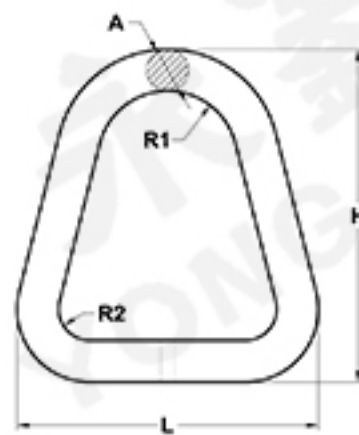


YXR1039

ALLOY TRIANGLE RING FOR WEB SLING

ITEM NO.	SIZE	WEIGHT (KG)	WLL (T)	BLL (T)	DIMENSIONS (MM)			
					A	B	H	L
YXR1036-01	2T	0.99	2	8	16	145	46	194
YXR1036-02	3T	2.04	3	12	20	199	57	248
YXR1036-03	4T	2.82	4	16	22	243	56	260
YXR1036-04	6T	6.30	6	24	28	340	78	340

◆ Ultimate Load at 4 Times the Working Load Limit.



YXR1040

ALLOY TRIANGLE RING FOR WEB SLING

ITEM NO.	SIZE	WEIGHT (KG)	WLL (T)	BLL (T)	DIMENSIONS (MM)				
					A	H	L	R1	R2
YXR1040-01	2T	0.47	2	8	16	112	100	15	5
YXR1040-02	3T	1.12	3	12	20	160	145	33.5	6
YXR1040-03	4T	1.52	4	16	22	175	178	32	10
YXR1040-04	6T	3.5	6	24	28	235	260	45	25

◆ Ultimate Load at 4 Times the Working Load Limit.