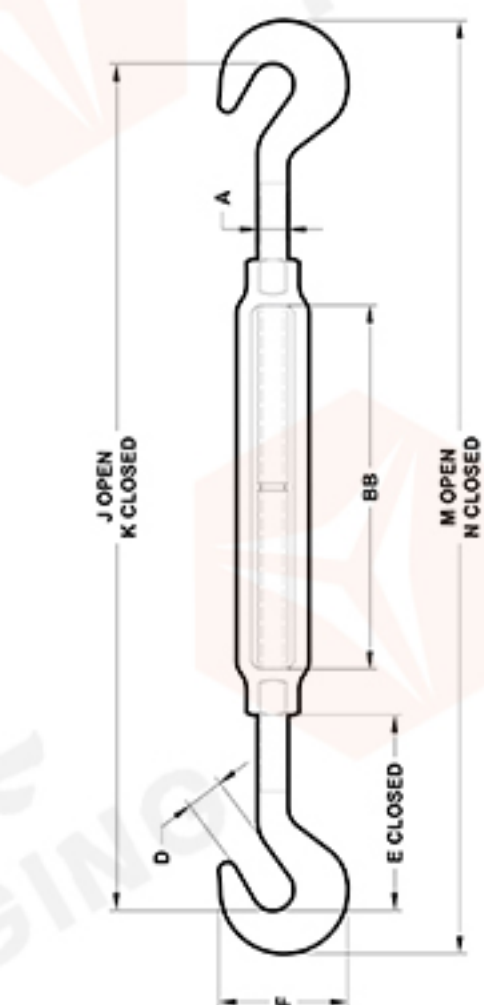


US TYPE FORGED TURNBUCKLE WITH HOOK & HOOK

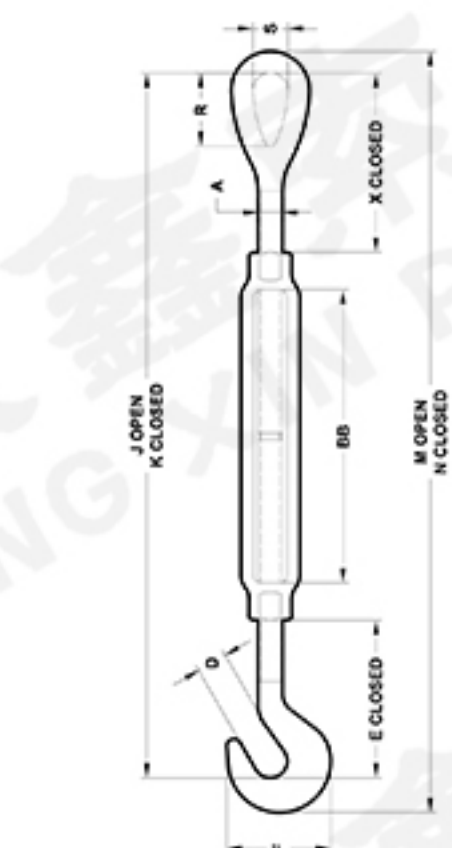


YXR1200

ITEM NO.	THREAD DIA. & TAKE UP (IN)	WLL (LBS)	WT (LBS)	DIMENSIONS (IN)									
				A	D	E CLOSED	F	J OPEN	K CLOSED	M OPEN	N CLOSED	BB	
YXR1200-01	1/4 × 4	400	0.3	0.25	0.45	1.59	1.27	11.12	7.12	11.94	7.94	4	
YXR1200-02	5/16 × 4-1/2	700	0.47	0.31	0.50	1.94	1.5	12.81	8.31	13.81	9.31	4.5	
YXR1200-03	3/8 × 6	1000	0.78	0.38	0.56	2.3	1.77	16.5	10.5	17.72	11.72	6	
YXR1200-04	1/2 × 6	1500	1.6	0.50	0.65	2.94	2.28	18.82	11.82	20.38	13.38	6	
YXR1200-05	1/2 × 12	1500	2.28	0.50	0.65	2.94	2.28	30.82	17.82	32.38	19.38	12	
YXR1200-06	5/8 × 6	2250	2.75	0.63	0.90	3.69	2.81	20.5	13.25	22.5	15.25	6	
YXR1200-07	5/8 × 12	2250	3.5	0.63	0.90	3.69	2.81	32.5	19.25	34.5	21.25	12	
YXR1200-08	3/4 × 6	3000	3.89	0.75	0.98	4.52	3.33	22.38	14.88	24.78	17.28	6	
YXR1200-09	3/4 × 12	3000	5.43	0.75	0.98	4.52	3.33	34.38	20.88	36.78	23.28	12	
YXR1200-10	3/4 × 18	3000	8.12	0.75	0.98	4.52	3.33	46.38	26.88	48.78	29.28	18	
YXR1200-11	7/8 × 12	4000	8.1	0.88	1.13	5.19	3.78	36	22.25	38.75	25.00	12	
YXR1200-12	1 × 12	5000	11.93	1.00	1.25	5.84	4.25	37.63	23.63	40.69	26.69	12	
YXR1200-13	1 × 18	5000	14	1.00	1.25	5.84	4.25	49.63	29.63	52.69	32.69	18	
YXR1200-14	1 × 24	5000	17.25	1.00	1.25	5.84	4.25	61.63	35.63	64.69	38.69	24	
YXR1200-15	1-1/4 × 12	6500	20.58	1.25	1.50	7.22	5.13	40.44	25.94	44.06	29.56	12	
YXR1200-16	1-1/4 × 18	6500	23	1.25	1.50	7.22	5.13	52.44	31.94	56.06	35.56	18	
YXR1200-17	1-1/4 × 24	6500	27	1.25	1.50	7.22	5.13	64.44	37.94	68.06	41.56	24	
YXR1200-18	1-1/2 × 12	7500	27.5	1.5	1.88	8.34	5.75	43.94	28.94	47.44	32.44	12	
YXR1200-19	1-1/2 × 18	7500	31	1.5	1.88	8.34	5.75	55.96	34.94	59.44	38.44	18	
YXR1200-20	1-1/2 × 24	7500	37.5	1.5	1.88	8.34	5.75	67.94	40.94	71.44	44.44	24	

◆ Minimum Ultimate Load is 5 times the Working Load Limit.

US TYPE FORGED TURNBUCKLE WITH HOOK & EYE

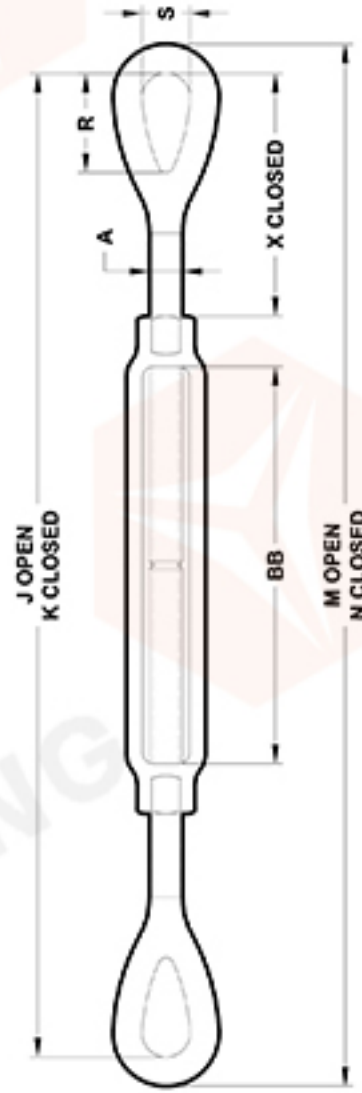


YXR1201

ITEM NO.	THREAD DIA. & TAKE UP (IN)	WLL (LBS)	WT (LBS)	DIMENSIONS (IN)												
				A	D	E CLOSED	F	J OPEN	K CLOSED	M OPEN	N CLOSED	R	S	X CLOSED	BB	
YXR1201-01	1/4 × 4	400	0.29	0.25	0.45	1.59	1.27	11.46	7.46	12.09	8.09	0.78	0.34	1.75	4	
YXR1201-02	5/16 × 4-1/2	700	0.49	0.31	0.50	1.94	1.5	13.19	8.69	13.47	9.47	0.94	0.44	2.09	4.5	
YXR1201-03	3/8 × 6	1000	0.78	0.38	0.56	2.3	1.77	16.98	10.98	17.94	11.94	1.12	0.53	2.52	6	
YXR1201-04	1/2 × 6	1500	1.61	0.50	0.65	2.94	2.28	19.45	12.45	20.67	13.67	1.44	0.72	3.23	6	
YXR1201-05	1/2 × 12	1500	2.26	0.50	0.65	2.94	2.28	31.45	18.45	32.67	19.67	1.44	0.72	3.23	12	
YXR1201-06	5/8 × 6	2250	2.70	0.63	0.90	3.69	2.81	21.96	13.96	22.72	15.47	1.75	0.88	3.9	6	
YXR1201-07	5/8 × 12	2250	3.78	0.63	0.90	3.69	2.81	33.21	19.96	34.72	21.47	1.75	0.88	3.9	12	
YXR1201-08	3/4 × 6	3000	3.89	0.75	0.98	4.52	3.33	23.13	15.63	24.95	17.45	2.09	1	4.69	6	
YXR1201-09	3/4 × 12	3000	5.83	0.75	0.98	4.52	3.33	35.13	21.63	36.95	23.45	2.09	1	4.69	12	
YXR1201-10	3/4 × 18	3000	6.33	0.75	0.98	4.52	3.33	47.13	27.63	48.95	29.45	2.09	1	4.69	18	
YXR1201-11	7/8 × 12	4000	8.1	0.88	1.13	5.19	3.78	36.53	22.78	38.66	24.91	2.38	1.25	5.1	12	
YXR1201-12	1 × 12	5000	11.93	1.00	1.25	5.84	4.25	38.8	24.8	41.2	27.2	3	1.44	6.36	12	
YXR1201-13	1 × 18	5000	14	1.00	1.25	5.84	4.25	50.8	30.8	53.2	33.2	3	1.44	6.36	18	
YXR1201-14	1 × 24	5000	17.25	1.00	1.25	5.84	4.25	62.8	36.8	65.2	39.2	3	1.44	6.36	24	
YXR1201-15	1-1/4 × 12	6500	19	1.25	1.50	7.22	5.13	41.63	27.13	44.56	30.06	3.56	1.81	7.72	12	
YXR1201-16	1-1/4 × 18	6500	23	1.25	1.50	7.22	5.13	53.63	33.13	56.56	36.06	3.56	1.81	7.72	18	
YXR1201-17	1-1/4 × 24	6500	24	1.25	1.50	7.22	5.13	65.63	39.13	68.56	42.06	3.56	1.81	7.72	24	
YXR1201-18	1-1/2 × 12	7500	27.5	1.5	1.88	8.34	5.75	44.72	29.72	47.72	32.72	4.06	2.12	8.62	12	
YXR1201-19	1-1/2 × 18	7500	31	1.5	1.88	8.34	5.75	59.72	35.72	59.72	38.72	4.06	2.12	8.62	18	
YXR1201-20	1-1/2 × 24	7500	37.5	1.5	1.88	8.34	5.75	71.72	41.72	71.72	44.72	4.06	2.12	8.62	24	

◆ Minimum Ultimate Load is 5 times the Working Load Limit.

US TYPE FORGED TURNBUCKLE WITH EYE & EYE



YXR1202

ITEM NO.	THREAD DIA. & TAKE UP (IN)	WLL (LBS)	WT (LBS)	DIMENSIONS (IN)								
				A	J OPEN	K CLOSED	M OPEN	N CLOSED	R	S	X CLOSED	BB
YXR1202-01	1/4 × 4	500	0.29	0.25	11.94	7.94	12.38	8.38	0.81	0.34	1.76	4.07
YXR1202-02	5/16 × 4-1/2	800	0.48	0.31	13.92	9.42	14.48	9.98	0.95	0.44	2.20	4.58
YXR1202-03	3/8 × 6	1200	0.75	0.38	17.56	11.56	18.24	12.24	1.13	0.53	2.48	6.10
YXR1202-04	1/2 × 6	2200	1.72	0.50	19.94	13.94	20.82	14.82	1.41	0.71	3.56	6.03
YXR1202-05	1/2 × 12	2200	2.63	0.50	32.23	20.23	33.11	21.11	1.41	0.71	3.54	12.36
YXR1202-06	5/8 × 6	3500	2.75	0.63	21.72	15.72	22.72	16.72	1.80	0.88	4.35	6.03
YXR1202-07	5/8 × 12	3500	4.12	0.63	34.06	22.06	35.06	23.06	1.80	0.88	4.34	12.39
YXR1202-08	3/4 × 6	5200	4.22	0.75	23.24	17.24	24.50	18.50	2.09	1.00	5.12	6.13
YXR1202-09	3/4 × 12	3500	6.12	0.75	35.64	23.64	36.90	24.90	2.09	1.00	5.09	12.59
YXR1202-10	3/4 × 18	3500	7.83	0.75	47.64	29.64	48.90	30.90	2.09	1.00	5.12	18.53
YXR1202-11	7/8 × 12	7200	8.83	0.88	36.70	24.70	38.20	26.20	2.38	1.25	5.79	12.16
YXR1202-12	7/8 × 18	7200	11.5	0.88	49.17	31.17	50.67	32.67	2.38	1.25	5.79	18.63
YXR1202-13	1 × 6	10000	9.62	1.00	26.24	20.24	28.00	22.00	3.00	1.43	6.50	6.18
YXR1202-14	1 × 12	10000	13.0	1.00	38.24	26.24	40.00	28.00	3.00	1.43	6.50	12.18
YXR1202-15	1 × 18	10000	16.3	1.00	50.24	32.24	52.00	34.00	3.00	1.43	6.50	18.18
YXR1202-16	1 × 24	10000	20.2	1.00	62.84	38.84	64.60	40.60	3.00	1.43	6.47	24.84
YXR1202-17	1-1/4 × 12	15200	19.9	1.25	42.14	30.14	44.38	32.38	3.59	1.82	8.49	12.06
YXR1202-18	1-1/4 × 18	15200	23.8	1.25	54.14	36.14	56.38	38.38	3.59	1.82	8.49	18.06
YXR1202-19	1-1/4 × 24	15200	27.8	1.25	66.70	42.70	68.94	44.94	3.59	1.82	8.49	24.62
YXR1202-20	1-1/2 × 12	21400	28.7	1.50	44.24	32.24	46.74	34.74	4.09	2.12	9.46	12.32
YXR1202-21	1-1/2 × 18	21400	34.1	1.50	56.24	38.24	58.74	40.74	4.09	2.12	9.46	18.32
YXR1202-22	1-1/2 × 24	21400	39.6	1.50	68.86	44.86	71.36	47.36	4.65	2.12	9.46	24.94
YXR1202-23	1-3/4 × 18	28000	58.2	1.75	57.38	39.38	60.38	42.38	4.65	2.38	9.97	18.37
YXR1202-24	1-3/4 × 24	28000	174	1.75	69.38	45.38	72.38	48.38	4.65	2.38	9.97	24.37
YXR1202-25	2 × 24	37000	83.5	2.00	75.68	51.68	79.18	55.18	5.81	2.69	13.03	24.48
YXR1202-26	2-1/2 × 24	60000	149	2.50	79.18	55.18	83.18	59.18	6.49	3.12	13.76	24.60
YXR1202-27	2-3/4 × 24	75000	194	2.75	81.34	57.34	85.84	61.84	7.00	3.25	15.09	24.65

◆ Minimum Ultimate Load is 5 times the Working Load Limit.



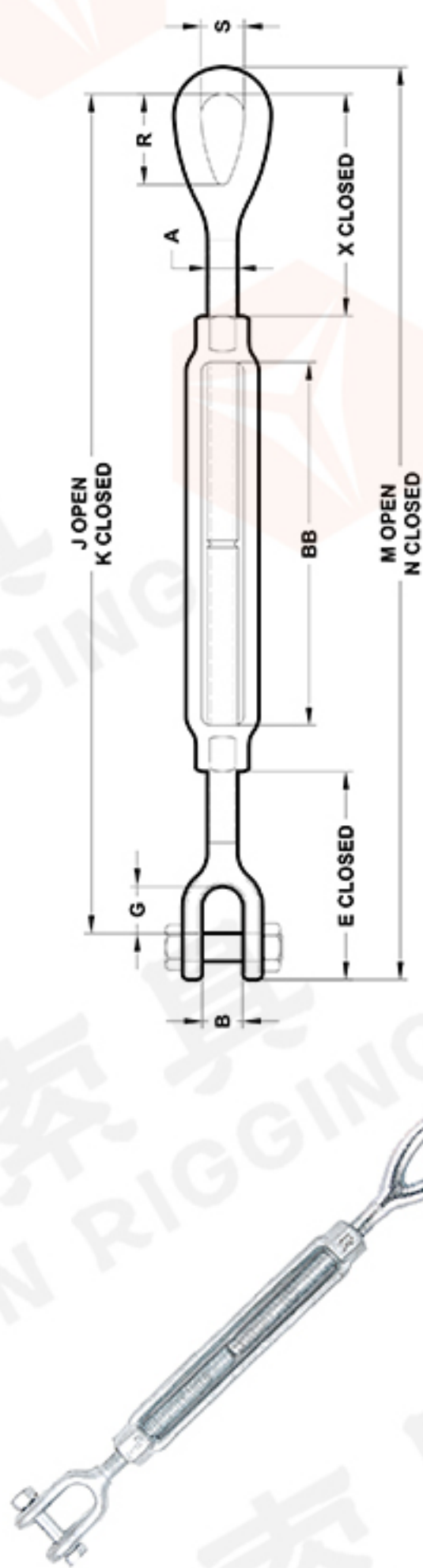
YXR1203

US TYPE FORGED TURNBUCKLE WITH STUB END

ITEM NO.	THREAD DIA. & TAKE UP (IN)	WLL (LBS)	WT (LBS)	DIMENSIONS (IN)					
				A	R	S	T	U	W
YXR1203-01	3/8 × 6	1200	0.75	0.38	6.00	7.13	0.56	4.44	16.00
YXR1203-02	1/2 × 6	2200	1.25	0.50	6.00	7.50	0.75	4.25	16.00
YXR1203-03	5/8 × 6	3500	2.11	0.63	6.00	7.88	0.94	4.06	16.00
YXR1203-04	3/4 × 6	5200	3.27	0.75	6.00	8.25	1.13	4.38	17.00
YXR1203-05	7/8 × 6	7200	4.78	0.88	6.00	8.63	1.31	4.69	18.00
YXR1203-06	1 × 6	10000	6.36	1.00	6.00	9.00	1.50	5.00	19.00
YXR1203-07	1 × 12	10000	8.80	1.00	12.0	15.0	1.50	5.00	25.00
YXR1203-08	1-1/8 × 6	12400	8.88	1.13	6.00	9.13	1.56	4.94	19.00
YXR1203-09	1-1/4 × 6	15200	10.18	1.25	6.00	9.13	1.56	5.44	20.00
YXR1203-10	1-1/4 × 12	15200	13.60	1.25	12.0	15.12	1.56	5.44	26.00
YXR1203-11	1-1/2 × 12	21400	20.44	1.50	12.0	15.75	1.88	5.38	26.50

◆ Minimum Ultimate Load is 5 times the Working Load Limit.

US TYPE FORGED TURNBUCKLE WITH JAW & EYE



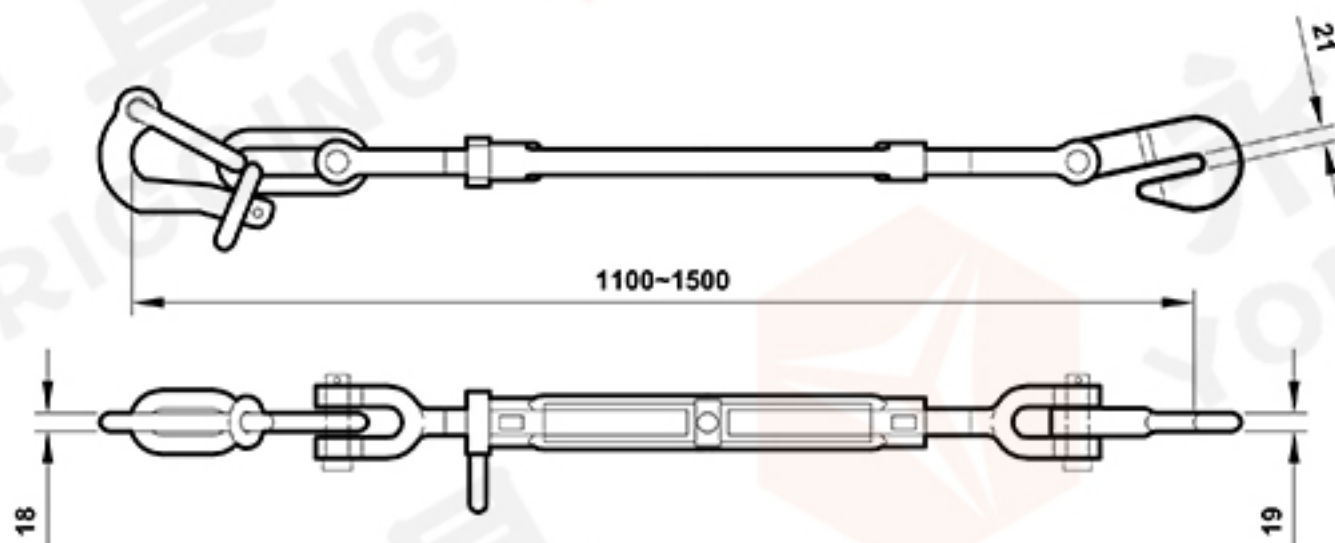
YXR1204

ITEM NO.	THREAD DIA. & TAKE UP (IN)	WLL (LBS)	WT (LBS)	DIMENSIONS (IN)											
				A	B	E CLOSED	G	J OPEN	K CLOSED	M OPEN	N CLOSED	R	S	X CLOSED	BB
YXR1204-01	1/4 x 4	500	0.33	0.25	0.25	1.66	0.64	11.57	7.57	12.28	12.28	0.81	0.34	1.76	4.07
YXR1204-02	5/16 x 4-1/2	800	0.52	0.52	0.31	2.02	0.87	13.50	9.00	14.30	14.30	0.95	0.44	2.20	4.58
YXR1204-03	3/8 x 6	1200	0.80	0.80	0.38	2.11	0.85	16.91	10.91	17.87	17.87	1.13	0.53	2.48	6.10
YXR1204-04	1/2 x 6	2200	1.77	1.77	0.50	3.22	1.07	19.30	13.30	20.48	20.48	1.41	0.71	3.56	6.03
YXR1204-05	1/2 x 9	2200	2.25	2.25	0.50	3.20	1.07	25.59	16.59	26.77	26.77	1.41	0.71	3.54	9.36
YXR1204-06	1/2 x 12	2200	2.67	2.67	0.50	3.20	1.07	31.59	19.59	32.77	32.77	1.41	0.71	3.54	12.36
YXR1204-07	5/8 x 6	3500	2.98	2.98	0.63	3.90	1.32	20.73	14.73	22.27	22.27	1.80	0.88	4.35	6.03
YXR1204-08	5/8 x 9	3500	3.72	3.72	0.63	3.89	1.32	27.07	18.07	28.61	28.61	1.80	0.88	4.34	9.39
YXR1204-09	5/8 x 12	3500	4.35	4.35	0.63	3.89	1.32	33.07	21.07	34.61	34.61	1.80	0.88	4.34	12.39
YXR1204-10	3/4 x 6	5200	4.51	4.51	0.75	4.71	1.52	22.17	16.17	24.09	24.09	2.09	1.00	5.12	6.13
YXR1204-11	3/4 x 9	3500	5.56	5.56	0.75	4.68	1.52	28.57	19.57	30.49	30.49	2.09	1.00	5.09	9.59
YXR1204-12	3/4 x 12	3500	6.42	6.42	0.75	4.68	1.52	34.57	22.57	36.49	36.49	2.09	1.00	5.09	12.59
YXR1204-13	3/4 x 18	3500	8.14	8.14	0.75	4.71	1.52	46.57	28.57	48.49	48.49	2.09	1.00	5.12	18.53
YXR1204-14	7/8 x 12	7200	9.10	9.10	0.88	5.50	1.77	35.68	23.68	37.91	37.91	2.38	1.25	5.79	12.16
YXR1204-15	7/8 x 18	7200	11.6	11.6	0.88	5.50	1.77	48.15	30.15	50.38	50.38	2.38	1.25	5.79	18.63
YXR1204-16	1 x 6	10000	10.0	10.0	1.00	6.09	2.05	25.03	19.03	27.59	27.59	3.00	1.43	6.50	6.18
YXR1204-17	1 x 12	10000	13.4	13.4	1.00	6.09	2.05	37.03	25.03	39.59	39.59	3.00	1.43	6.50	12.18
YXR1204-18	1 x 18	10000	16.7	16.7	1.00	6.09	2.05	49.03	31.03	51.59	51.59	3.00	1.43	6.50	18.18
YXR1204-19	1 x 24	10000	20.6	20.6	1.00	6.06	2.05	61.63	37.63	64.19	64.19	3.00	1.43	6.47	24.84
YXR1204-20	1-1/4 x 12	15200	20.9	20.9	1.84	8.09	2.82	40.76	28.76	43.98	43.98	3.59	1.82	8.49	12.06
YXR1204-21	1-1/4 x 18	15200	24.8	24.8	1.84	8.09	2.82	52.76	34.76	55.98	55.98	3.59	1.82	8.49	18.06
YXR1204-22	1-1/4 x 24	15200	28.8	28.8	1.84	8.09	2.82	65.32	41.32	68.54	68.54	3.59	1.82	8.49	24.62
YXR1204-23	1-1/2 x 12	21400	30.6	30.6	2.06	8.93	2.81	42.50	30.50	46.21	46.21	4.09	2.12	9.46	12.32
YXR1204-24	1-1/2 x 18	21400	36.0	36.0	2.06	8.93	2.81	54.50	36.50	58.21	58.21	4.09	2.12	9.46	18.32
YXR1204-25	1-1/2 x 24	21400	41.5	41.5	2.06	8.93	2.81	67.12	43.12	70.83	70.83	4.09	2.12	9.46	24.94
YXR1204-26	1-3/4 x 18	28000	52.1	52.1	2.60	9.36	3.35	55.37	37.37	59.77	59.77	4.65	2.38	9.97	18.37
YXR1204-27	1-3/4 x 24	28000	59.7	59.7	2.60	9.36	3.35	67.37	43.37	71.77	71.77	4.65	2.38	9.97	24.37
YXR1204-28	2 x 24	37000	89.9	89.9	2.62	11.80	3.74	72.66	48.66	77.95	77.95	5.81	2.69	13.03	24.48
YXR1204-29	2-1/2 x 24	60000	158	158	3.06	13.26	4.44	76.08	52.08	82.68	82.68	6.49	3.12	13.76	24.60
YXR1204-30	2-3/4 x 24	75000	197	187	3.69	14.92	4.19	78.05	54.05	85.67	85.67	7.00	3.25	15.09	24.65

◆ Minimum Ultimate Load is 5 times the Working Load Limit.



YXR1205

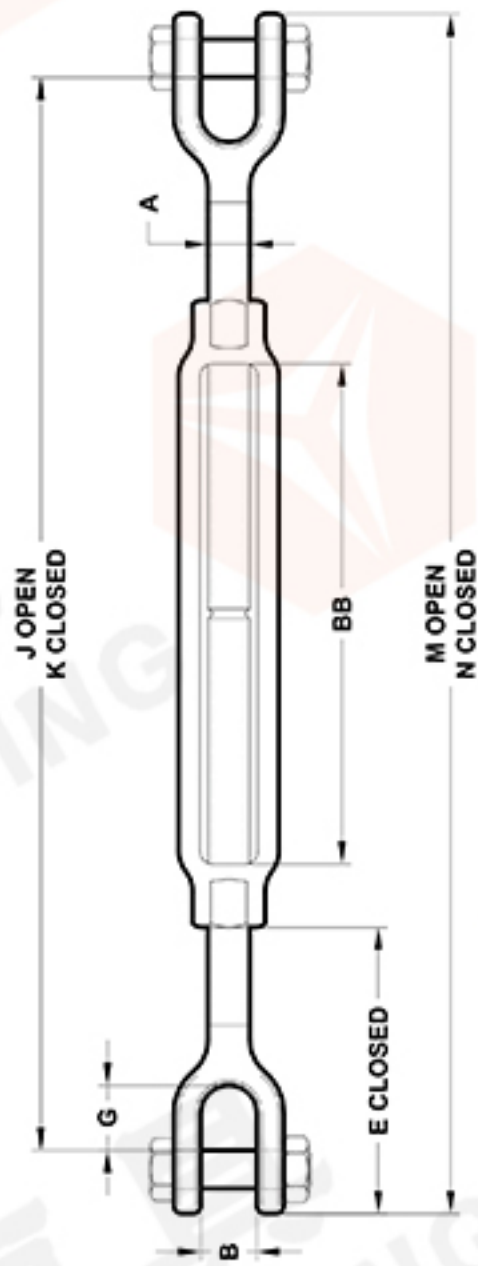


DECKLASHING TURNBUCKLE, SLIP HOOK & HOOK TYPE

ITEM NO.	SIZE (IN)	S.W.L (KN)	B.L (KN)	DIMENSIONS (MM)		WEIGHT (KG)
				MAX. LENGTH	MIN. LENGTH	
YXR1205-01	1 x 18	40	160	1500	1100	12.5

◆ Minimum Ultimate Load is 4 times the Working Load Limit.

US TYPE FORGED TURNBUCKLE WITH JAW & JAW

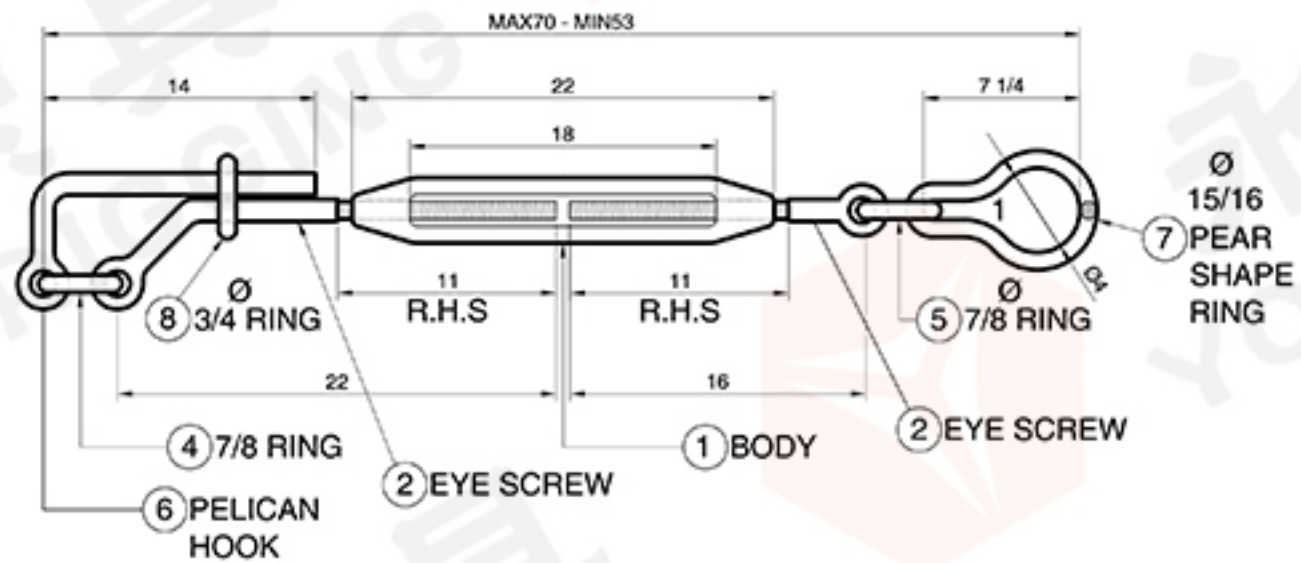


ITEM NO.	THREAD DIA. & TAKE UP (IN)	WLL (LBS)	WT (LBS)	DIMENSIONS (IN)								
				A	B	E CLOSED	G	J OPEN	K CLOSED	M OPEN	N CLOSED	BB
YXR1206-01	1/4 × 4	500	0.37	0.25	0.45	1.66	0.64	11.19	7.19	12.18	8.18	4.07
YXR1206-02	5/16 × 4-1/2	800	0.56	0.31	0.50	2.02	0.87	13.07	8.57	14.12	9.62	4.58
YXR1206-03	3/8 × 6	1200	0.85	0.38	0.53	2.11	0.85	16.25	10.25	17.50	11.50	6.10
YXR1206-04	1/2 × 6	2200	1.82	0.50	0.64	3.22	1.07	18.65	12.65	20.14	14.14	6.03
YXR1206-05	1/2 × 9	2200	2.29	0.50	0.64	3.20	1.07	24.94	15.94	26.43	17.43	9.36
YXR1206-06	1/2 × 12	2200	2.71	0.50	0.64	3.20	1.07	30.94	18.94	32.43	20.43	12.36
YXR1206-07	5/8 × 6	3500	3.21	0.63	0.79	3.90	1.32	19.74	13.94	21.82	15.82	6.03
YXR1206-08	5/8 × 9	3500	3.95	0.63	0.79	3.89	1.32	26.08	17.08	28.16	19.16	9.39
YXR1206-09	5/8 × 12	3500	4.58	0.63	0.79	3.89	1.32	32.08	20.08	34.16	22.16	12.39
YXR1206-10	3/4 × 6	5200	4.80	0.75	0.97	4.71	1.52	21.09	15.09	23.68	17.68	6.13
YXR1206-11	3/4 × 9	3500	5.85	0.75	0.97	4.68	1.52	27.49	18.49	30.08	21.08	9.59
YXR1206-12	3/4 × 12	3500	6.72	0.75	0.97	4.68	1.52	33.49	21.49	36.08	24.08	12.59
YXR1206-13	3/4 × 18	3500	8.45	0.75	0.97	4.71	1.52	45.49	27.49	48.08	30.08	18.53
YXR1206-14	7/8 × 12	7200	9.37	0.88	1.16	5.50	1.77	34.65	22.65	37.62	25.62	12.16
YXR1206-15	7/8 × 18	7200	11.8	0.88	1.16	5.50	1.77	47.12	29.12	50.09	32.09	18.63
YXR1206-16	1 × 6	10000	10.4	1.00	1.34	6.09	2.05	23.82	17.92	27.18	21.18	6.18
YXR1206-17	1 × 12	10000	13.8	1.00	1.34	6.09	2.05	35.82	23.82	39.18	27.18	12.18
YXR1206-18	1 × 18	10000	17.1	1.00	1.34	6.09	2.05	47.82	29.82	51.18	33.18	18.18
YXR1206-19	1 × 24	10000	21.0	1.00	1.34	6.06	2.05	60.42	36.42	63.78	39.78	24.84
YXR1206-20	1-1/4 × 12	15200	21.9	1.25	1.84	8.09	2.82	39.37	27.37	43.58	31.58	12.06
YXR1206-21	1-1/4 × 18	15200	25.9	1.25	1.84	8.09	2.82	51.37	33.37	55.58	37.58	18.06
YXR1206-22	1-1/4 × 24	15200	29.8	1.25	1.84	8.09	2.82	63.93	39.93	68.14	44.14	24.62
YXR1206-23	1-1/2 × 12	21400	32.6	1.50	2.06	8.93	2.81	40.76	28.76	45.68	33.68	12.32
YXR1206-24	1-1/2 × 18	21400	38.0	1.50	2.06	8.93	2.81	52.76	34.76	57.68	39.68	18.32
YXR1206-25	1-1/2 × 24	21400	43.5	1.50	2.06	8.93	2.81	65.38	41.38	70.30	46.30	24.94
YXR1206-26	1-3/4 × 18	28000	53.5	1.75	2.60	9.36	3.35	53.35	35.35	59.16	41.16	18.37
YXR1206-27	1-3/4 × 24	28000	61.1	1.75	2.60	9.36	3.35	65.35	41.35	71.16	47.16	24.37
YXR1206-28	2 × 24	37000	96.3	2.00	2.62	11.80	3.74	69.64	45.64	76.72	52.72	24.48
YXR1206-29	2-1/2 × 24	60000	167	2.50	3.06	13.26	4.44	72.97	48.97	82.18	58.18	24.60
YXR1206-30	2-3/4 × 24	75000	199	2.75	3.69	14.92	4.19	74.75	50.75	85.50	61.50	24.65

◆ Minimum Ultimate Load is 5 times the Working Load Limit.



YXR1206



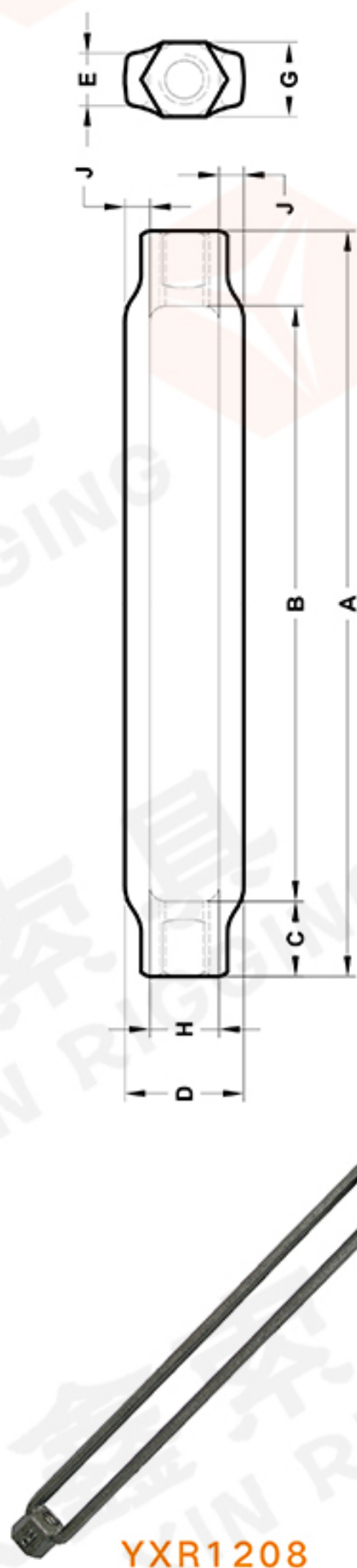
DECKLASHING TURNBUCKLE WITH PELICAN AND PEAR SHAPE LINK

ITEM NO.	SIZE (IN)	WLL (T)	DIMENSIONS (MM)		WEIGHT (KG)
			MAX. LENGTH	MIN. LENGTH	
YXR1207-01	1-1/4 × 18	25.5	1775	1270	16.8

◆ Minimum Ultimate Load is 4 times the Working Load Limit.

YXR1207

US TYPE FORGED TURNBUCKLE BODY

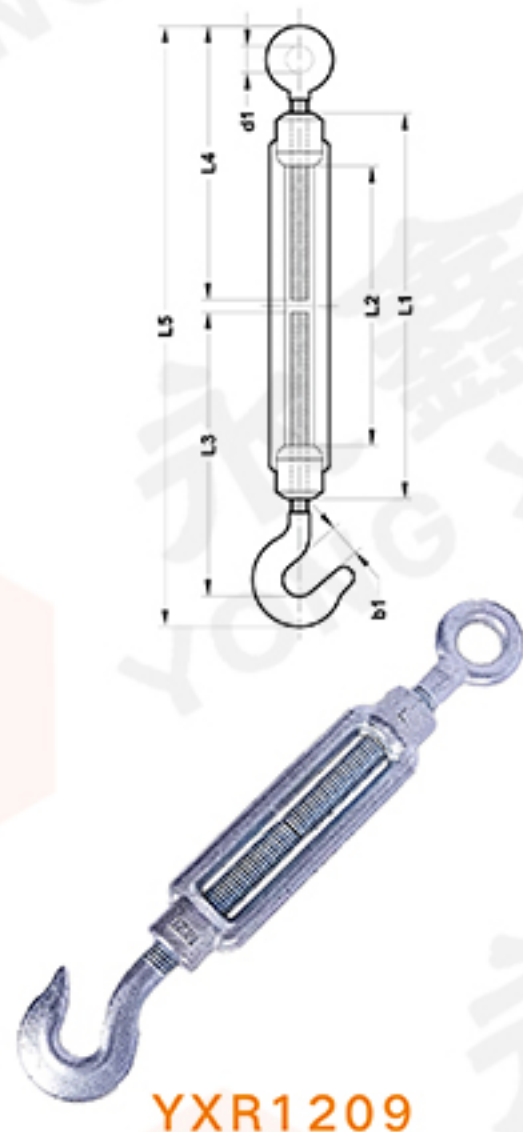


YXR1208

ITEM NO.	THREAD DIA. & TAKE UP (IN)	WLL (LBS)	WT (LBS)	DIMENSIONS (IN)							
				A	B	C	D	E	G	H	J
YXR1208-01	1/4 × 4	500	0.15	4.87	4.07	0.40	0.72	0.34	0.50	0.38	0.17
YXR1208-02	5/16 × 4-1/2	800	0.22	5.59	4.58	0.50	0.82	0.38	0.56	0.44	0.19
YXR1208-03	3/8 × 6	1200	0.29	7.29	6.10	0.60	0.88	0.68	0.63	0.50	0.19
YXR1208-04	1/2 × 6	2200	0.70	7.70	6.03	0.84	1.19	0.68	0.81	0.63	0.28
YXR1208-05	1/2 × 9	2200	1.03	11.03	9.36	0.84	1.19	0.68	0.81	0.63	0.28
YXR1208-06	1/2 × 12	2200	1.27	14.03	12.36	0.84	1.19	0.83	0.81	0.63	0.28
YXR1208-07	5/8 × 6	3500	1.11	8.02	6.03	1.00	1.43	0.83	1.00	0.75	0.34
YXR1208-08	5/8 × 9	3500	1.59	11.38	9.39	1.00	1.43	0.83	1.00	0.75	0.34
YXR1208-09	5/8 × 12	3500	1.96	14.38	12.39	1.00	1.43	0.83	1.00	0.75	0.34
YXR1208-10	3/4 × 6	5200	1.50	8.26	6.13	1.07	1.74	0.94	1.13	0.94	0.40
YXR1208-11	3/4 × 9	3500	2.17	11.72	9.59	1.07	1.74	0.94	1.13	0.94	0.40
YXR1208-12	3/4 × 12	3500	2.66	14.72	12.59	1.07	1.74	0.94	1.13	0.94	0.40
YXR1208-13	3/4 × 18	3500	3.63	20.66	18.53	1.07	1.74	0.94	1.13	0.94	0.40
YXR1208-14	7/8 × 12	7200	3.61	14.62	12.16	1.23	2.00	1.13	1.31	1.06	0.47
YXR1208-15	7/8 × 18	7200	5.27	21.09	18.63	1.23	2.00	1.13	1.31	1.06	0.47
YXR1208-16	1 × 6	10000	3.32	9.00	6.18	1.41	2.45	1.25	1.50	1.25	0.60
YXR1208-17	1 × 12	10000	5.34	15.00	12.18	1.41	2.45	1.25	1.50	1.25	0.60
YXR1208-18	1 × 18	10000	7.35	21.00	18.18	1.41	2.45	1.25	1.50	1.25	0.60
YXR1208-19	1 × 24	10000	9.85	27.66	24.84	1.41	2.45	1.25	1.50	1.25	0.60
YXR1208-20	1-1/4 × 12	15200	5.72	15.40	12.06	1.67	2.62	1.25	1.88	1.50	0.56
YXR1208-21	1-1/4 × 18	15200	7.58	21.40	18.06	1.67	2.62	1.25	1.88	1.50	0.56
YXR1208-22	1-1/4 × 24	15200	9.45	27.96	24.62	1.67	2.62	1.25	1.88	1.50	0.56
YXR1208-23	1-1/2 × 12	21400	8.01	15.82	12.32	1.75	2.99	1.50	2.25	1.75	0.62
YXR1208-24	1-1/2 × 18	21400	10.4	21.82	18.32	1.75	2.99	1.50	2.25	1.75	0.62
YXR1208-25	1-1/2 × 24	21400	12.9	28.54	24.94	1.75	2.99	1.50	2.25	1.75	0.62
YXR1208-26	1-3/4 × 18	28000	15.7	22.44	18.37	2.04	3.62	1.75	2.62	2.12	0.75
YXR1208-27	1-3/4 × 24	28000	19.2	28.44	24.37	2.04	3.62	1.75	2.62	2.12	0.75
YXR1208-28	2 × 24	37000	25.8	29.13	24.48	2.33	4.14	2.00	3.00	2.38	0.88
YXR1208-29	2-1/2 × 24	60000	55.9	31.66	24.60	3.53	5.12	2.75	3.88	3.12	1.25
YXR1208-30	2-3/4 × 24	75000	54.0	31.66	24.65	3.51	5.12	2.75	3.88	4.48	1.25

◆ Minimum Ultimate Load is 5 times the Working Load Limit.

DIN1480 TURNBUCKLES, TYPE HOOK AND EYE



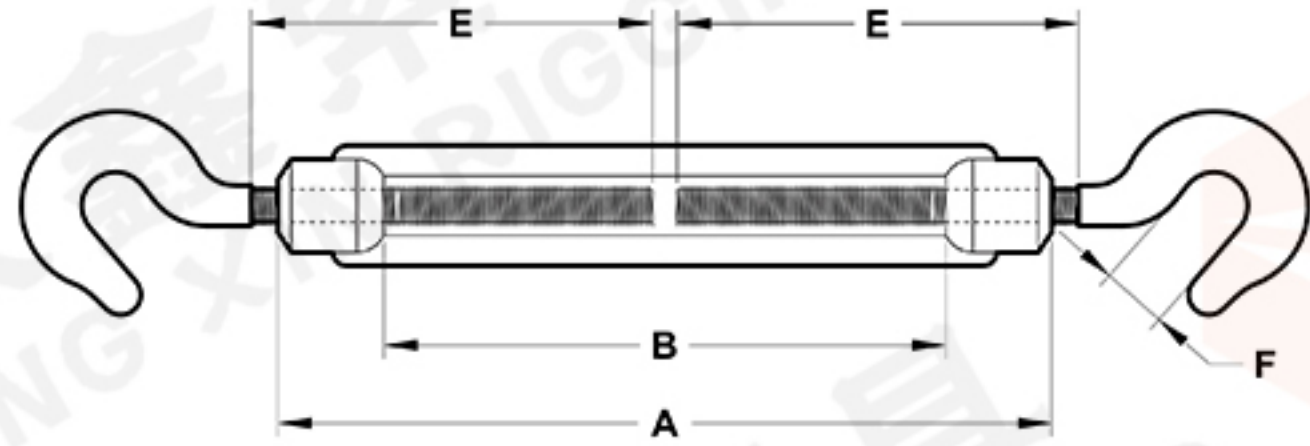
YXR1209

ITEM NO.	SIZE (MM)	WLL (T)	WT (KG)	DIMENSIONS (MM)						
				L1	L2	L3	B1	L4	D1	L5
YXR1209-01	M6	0.075	0.086	110	80	85	8.5	80	9	172
YXR1209-02	M8	0.165	0.15	110	75	85	11	84	10	182
YXR1209-03	M10	0.235	0.28	125	85	112	13.5	105	14	213
YXR1209-04	M12	0.32	0.38	125	80	117	15.5	115	16	238
YXR1209-05	M14	0.43	0.62	140	90	122	18.5	122	18	263
YXR1209-06	M16	0.53	0.97	170	110	138	19	165	22	320
YXR1209-07	M20	0.73	1.64	200	130	170	20.5	167	24	367
YXR1209-08	M22	1.12	1.95	220	145	185	26	167	27	398
YXR1209-09	M24	1.55	3.27	255	170	205	26	205	27	447
YXR1209-10	M30	2.24	5.38	255	160	225	33	255	31	512
YXR1209-11	M36	3.26	9.33	295	180	255	44	276	43	568
YXR1209-12	M42	3.675	15.38	330	200	340	48	260	49	683
YXR1209-13	M48	6.86	22.65	355	195	360	58	300	58	755

◆ Minimum Ultimate Load is 4 times the Working Load Limit.



YXR1210



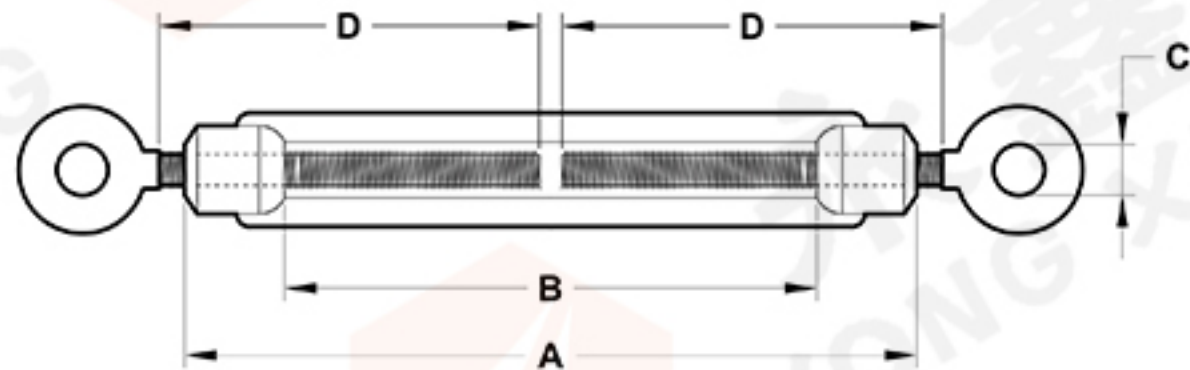
DIN1480 TURNBUCKLES, TYPE HOOK AND HOOK

ITEM NO.	SIZE (MM)	WLL (T)	WEIGHT (KG)	DIMENSIONS (MM)			
				A	B	E	F
YXR1210-01	M6	0.075	0.086	110	86	53	9.5
YXR1210-02	M8	0.165	0.156	110	80	55	10
YXR1210-03	M10	0.235	0.29	125	89	65	13.5
YXR1210-04	M12	0.32	0.42	125	83	70	16
YXR1210-05	M16	0.53	1.03	170	116	100	16
YXR1210-06	M20	0.73	1.64	200	130	105	18
YXR1210-07	M22	1.12	2.12	220	148	115	22
YXR1210-08	M24	1.55	3.16	255	177	130	28
YXR1210-09	M30	2.24	6.28	255	165	145	33
YXR1210-10	M36	3.26	10.01	295	185	155	41
YXR1210-11	M42	3.675	15.14	330	204	175	45
YXR1210-12	M48	6.86	25.09	355	199	185	54

◆ Minimum Ultimate Load is 4 times the Working Load Limit.



YXR1211



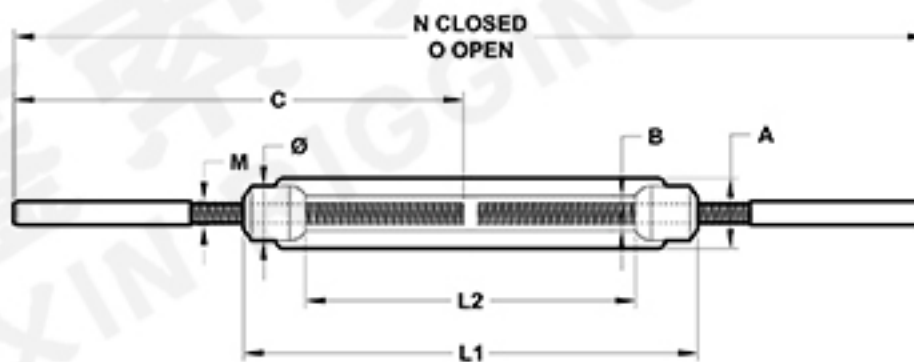
DIN1480 TURNBUCKLES, TYPE EYE AND EYE

ITEM NO.	SIZE (MM)	WLL (T)	WEIGHT (KG)	DIMENSIONS (MM)			
				A	B	C	D
YXR1211-01	M6	0.075	0.086	110	86	9.5	53
YXR1211-02	M8	0.41	0.156	110	80	11	55
YXR1211-03	M10	0.65	0.29	125	89	14.5	65
YXR1211-04	M12	0.93	0.42	125	83	17	66
YXR1211-05	M14	1.33	0.635	140	94	18	83
YXR1211-06	M16	1.77	0.91	170	116	22	100
YXR1211-07	M20	2.7	1.64	200	130	24	100
YXR1211-08	M22	3.3	2.76	220	148	30	125
YXR1211-09	M24	3.92	3.38	255	177	26	132.5
YXR1211-10	M30	6.25	4.48	255	165	39	145
YXR1211-11	M36	9.1	8.65	295	185	44	155
YXR1211-12	M42	12.75	12.02	330	204	49	175
YXR1211-13	M48	16.8	20.21	355	199	58	185

◆ Minimum Ultimate Load is 4 times the Working Load Limit.



YXR1212



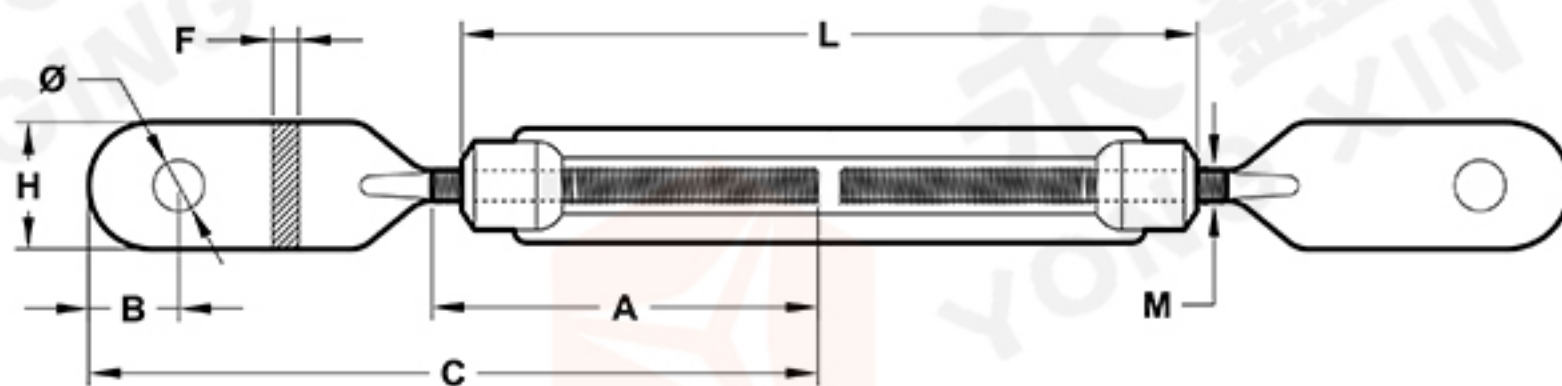
DIN1480 TURNBUCKLES, STUB ENDS

ITEM NO.	SIZE (M)	DIMENSIONS (MM)							
		A	B	C	N	O	L1	L2	Ø
YXR1212-01	M6	19	9	120	245	320	110	86	12
YXR1212-02	M8	23	11	120	245	315	110	80	15
YXR1212-03	M10	30	14	150	305	354	125	89	18
YXR1212-04	M12	34	18	150	305	378	125	83	21
YXR1212-05	M14	38	18	162	330	415	140	94	24.5
YXR1212-0	M16	42	20	220	445	545	170	110	27
YXR1212-0	M20	53	24	220	445	565	200	130	34
YXR1212-08	M22	56	26	220	445	583	220	148	37
YXR1212-09	M24	60	28	260	525	692	255	177	39
YXR1212-10	M30	74	34	260	525	650	255	165	45
YXR1212-11	M36	86	40	300	605	780	295	185	55
YXR1212-12	M42	104	50	350	705	900	330	204	63
YXR1212-13	M48	135	65	380	705	955	355	199	80
YXR1212-14	M56	135	65	380	705	955	355	199	80

◆ Minimum Ultimate Load is 4 times the Working Load Limit.



YXR1213



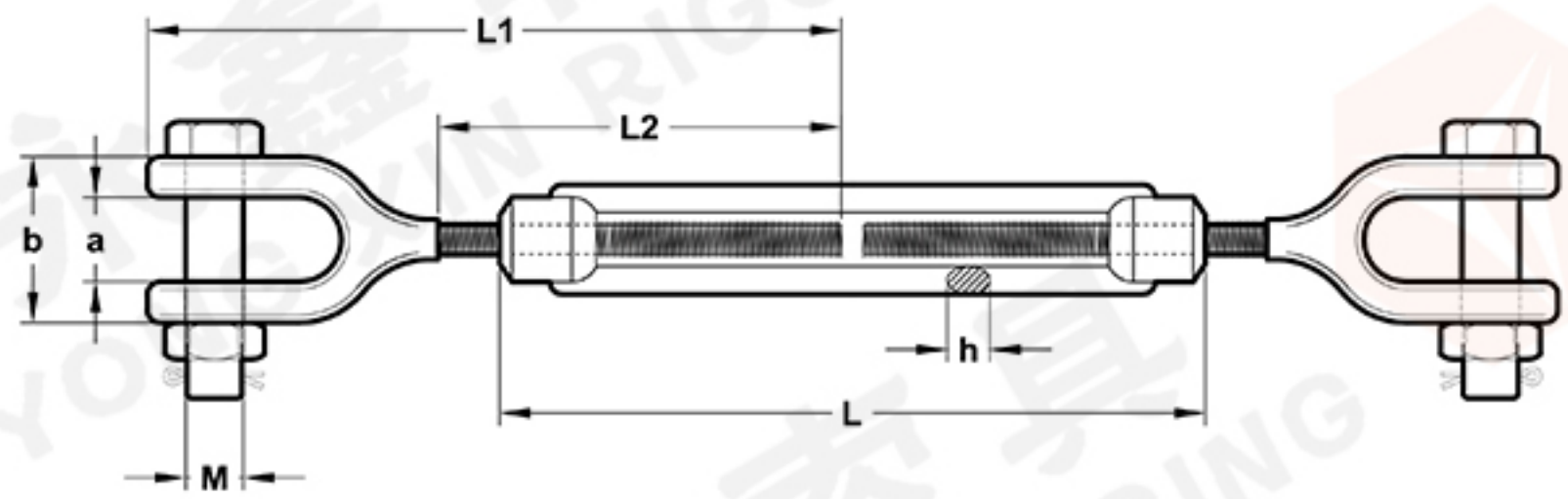
DIN1480 TURNBUCKLES WITH PLANE SCREWS

ITEM NO.	SIZE	WLL (T)	WT (KG)	DIMENSIONS (MM)								
				A	B	C	H	M	F	P	L	Ø
YXR1213-01	M12	1.67	1.1	70	35	210	40	M12	7	77	125	18
YXR1213-02	M16	3.12	1.73	90	35	240	50	M16	10	85	170	18
YXR1213-03	M20	4.86	2.58	100	35	255	50	M20	10	91	272	18
YXR1213-04	M24	7	4.14	150	45	315	70	M24	12	80	255	22
YXR1213-05	M27	9.1	5.4	150	50	320	70	M27	15	80	255	22
YXR1213-06	M30	11.18	6.8	160	60	365	80	M30	15	98	255	26
YXR1213-07	M36	16.2	10.87	220	60	425	80	M36	20	100	295	26

◆ Minimum Ultimate Load is 4 times the Working Load Limit.



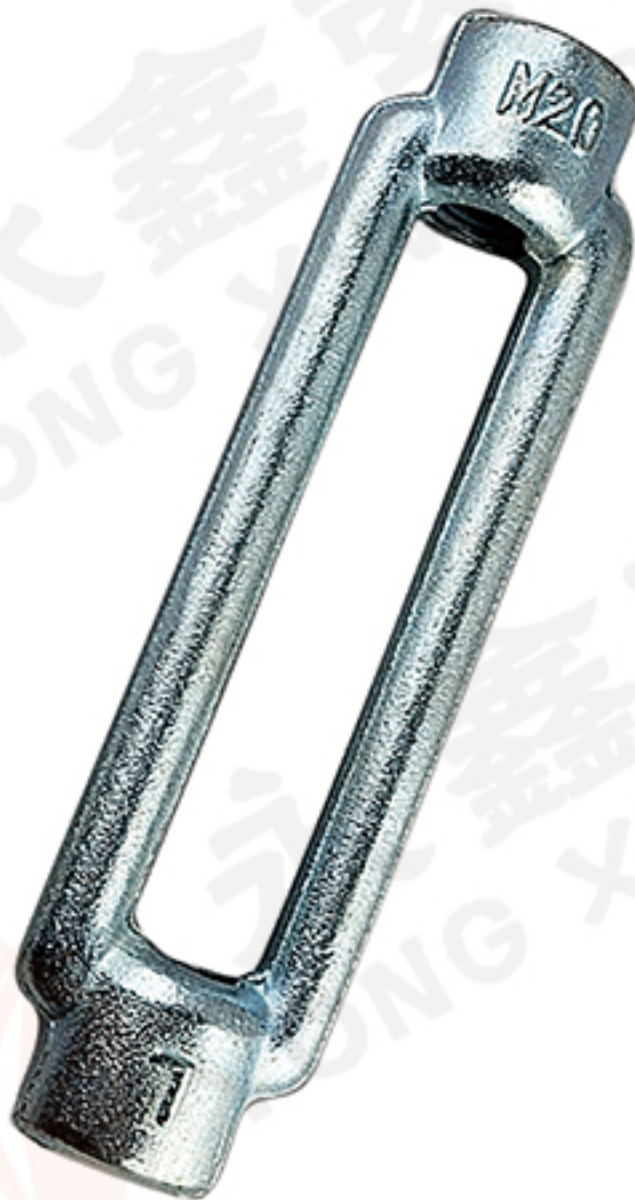
YXR1214



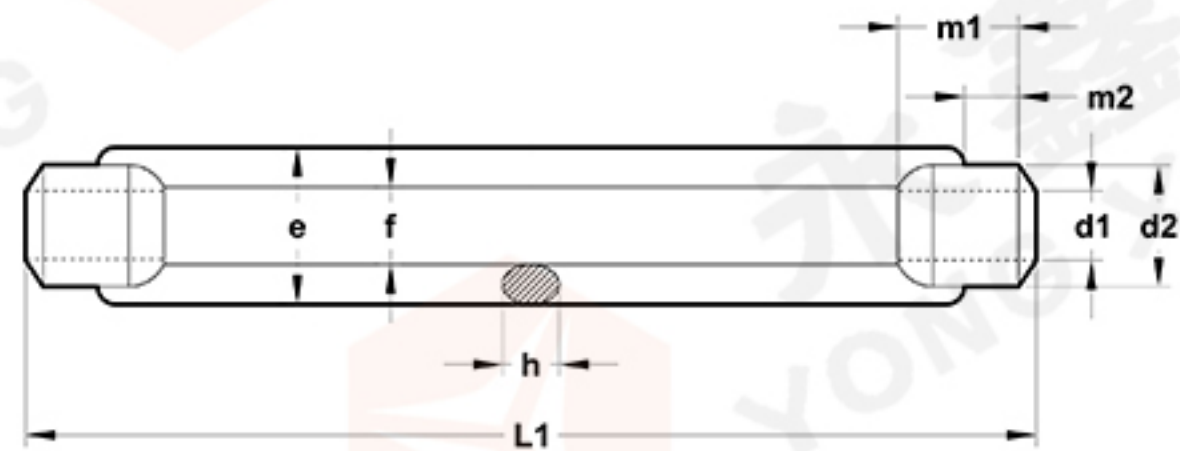
DIN1480 TURNBUCKLES, TYPE JAW AND JAW

ITEM NO.	SIZE	DIMENSIONS (MM)						
		L	H	L1	L2	A	B	M
YXR1214-01	M10	125	9.5	135	78	12.5	27.5	M10
YXR1214-02	M16	170	14	187	105	20	41	M16
YXR1214-03	M20	200	17	205	115	23.5	46	M20
YXR1214-04	M24	255	21	240	130	28	60	M24

◆ Minimum Ultimate Load is 4 times the Working Load Limit.



YXR1215



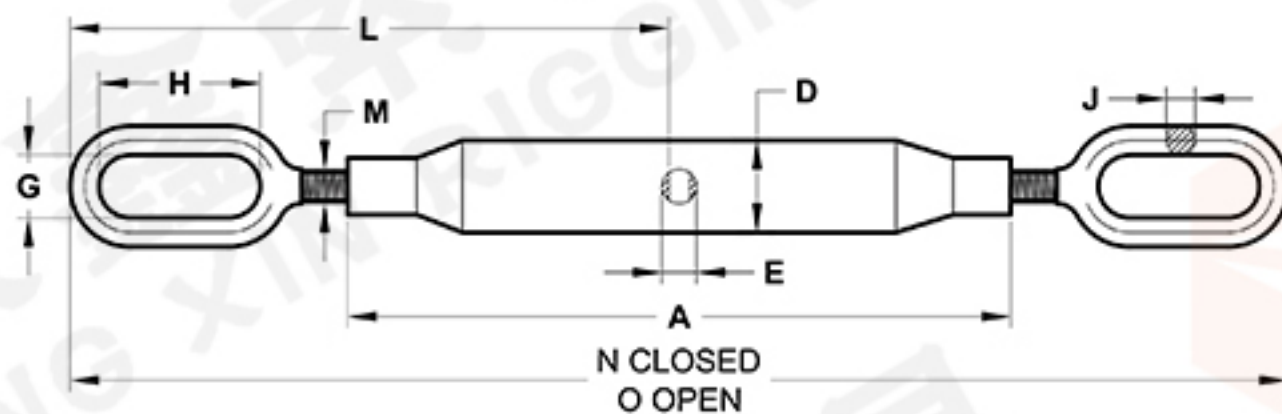
DIN1480 TURNBUCKLES BODY

ITEM NO.	THREAD SIZE (D1)	DIMENSIONS (MM)								WT 100PCS (KG)
		L1	LENGTH OF ENGAGEMENT	D2	E	F	H	M1	M2	
YXR1215-01	M6	110	80	12	19	9	6	12	6	5.5
YXR1215-02	M8	110	75	15	23	11	8	15	8	9.5
YXR1215-03	M10	125	85	18	30	14	9	18	9	15.5
YXR1215-04	M12	125	80	21	34	16	11	21	11	20.5
YXR1215-05	M14	140	90	25	38	18	10	24	9	31
YXR1215-06	M16	170	110	27	42	20	14	27	14	42
YXR1215-07	M20	200	130	34	52	24	17	34	17	74
YXR1215-08	M22	220	145	36	57	26	16	37	15	95
YXR1215-09	M24	255	170	39	60	28	20	39	20	130
YXR1215-10	M30	255	160	45	74	34	23	45	23	180
YXR1215-11	M36	295	180	55	86	40	28	55	28	310
YXR1215-12	M42	330	200	63	104	50	32	63	32	556
YXR1215-13	M48	355	195	80	135	65	40	78	39	975
YXR1215-14	M56	355	195	80	135	65	40	78	39	900

◆ Minimum Ultimate Load is 4 times the Working Load Limit.



YXR1216



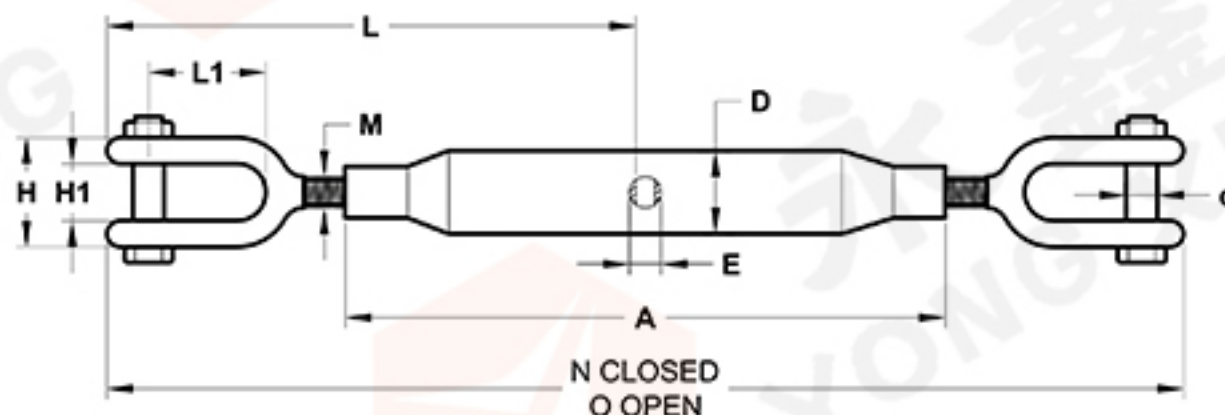
DIN1478 RIGGING SCREWS, TYPE EYE AND EYE

ITEM NO.	SIZE	WT (KG)	DIMENSIONS (MM)									
			M	A	D	E	G	J	L	N CLOSED	O OPEN	H
YXR1216-01	M6	0.18	M6×1	110	15	6	8	6	96	197	307	14
YXR1216-02	M8	0.38	M8×1.25	110	17	8.5	8	8	109	223	333	20
YXR1216-03	M10	0.43	M10×1.5	125	21	8.5	11	8	127	259	384	25
YXR1216-04	M12	0.9	M12×1.75	125	25	10.5	14	11	182	369	494	36
YXR1216-05	M16	1.2	M16×2	170	30	10.5	18	14	194	393	563	40
YXR1216-06	M20	2.02	M20×2.5	200	33.5	12.5	22	16	204	413	613	55
YXR1216-07	M22	3.07	M22×2.5	220	33.5	12.5	22	17	248	501	721	55
YXR1216-08	M24	3.9	M24×3	255	42	12.5	25	19	292	589	844	57
YXR1216-09	M27	4.97	M27×3	255	42	14.5	28	20	294	593	848	57
YXR1216-10	M33	6.83	M33×3.5	255	57	16.5	34	25	320	645	900	64
YXR1216-11	M36	7.94	M36×4	295	63	16.5	36	26	325	655	950	75
YXR1216-12	M42	14.08	M42×4.5	330	70	20.5	38	27	356	717	1047	84
YXR1216-13	M48	17.48	M48×5	355	83	20.5	44	37	404	813	1168	94

◆ Minimum Ultimate Load is 4 times the Working Load Limit.



YXR1217



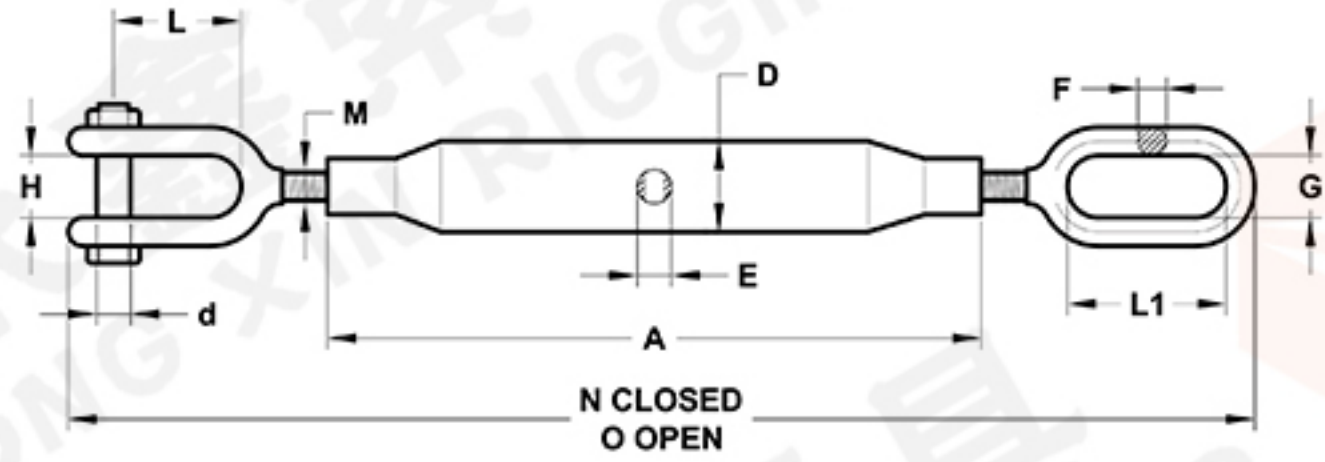
DIN1478 RIGGING SCREWS, TYPE JAW AND JAW

ITEM NO.	SIZE	WT (KG)	DIMENSIONS (MM)										
			M	A	D	E	H	H1	L	L1	D	N CLOSED	O OPEN
YXR1217-01	M6	0.18	M6×1	110	15	6	21	9	96	21	5	197	292
YXR1217-02	M8	0.38	M8×1.25	110	17	8.5	21	9	109	21	6.5	223	313
YXR1217-03	M10	0.484	M10×1.5	125	21	8.5	27	11	124	21	8	253	353
YXR1217-04	M12	1	M12×1.75	125	25	10.5	37	19	183	35	10	370	465
YXR1217-05	M16	1.356	M16×2	170	30	10.5	40	22	194	51	12	393	523
YXR1217-06	M20	2.212	M20×2.5	200	33.5	12.5	44	22	204	48	16	413	563
YXR1217-07	M22	3.59	M22×2.5	220	33.5	12.5	51	25	248	60	20	500	650
YXR1217-08	M24	4.814	M24×3	255	42	12.5	60	32	292	65	22	589	786
YXR1217-09	M27	5.73	M27×3	255	42	14.5	60	32	294	65	22	593	783
YXR1217-10	M33	8.04	M33×3.5	255	57	16.5	76	38	320	76	24	645	828
YXR1217-11	M36	8.82	M36×4	295	63	16.5	76	38	325	76	27	655	870
YXR1217-12	M42	16.4	M42×4.5	330	70	20.5	85	47	330	111	35	655	888
YXR1217-13	M48	22.4	M48×5	355	83	20.5	101	51	404	121	42	813	951

◆ Minimum Ultimate Load is 4 times the Working Load Limit.



YXR1218



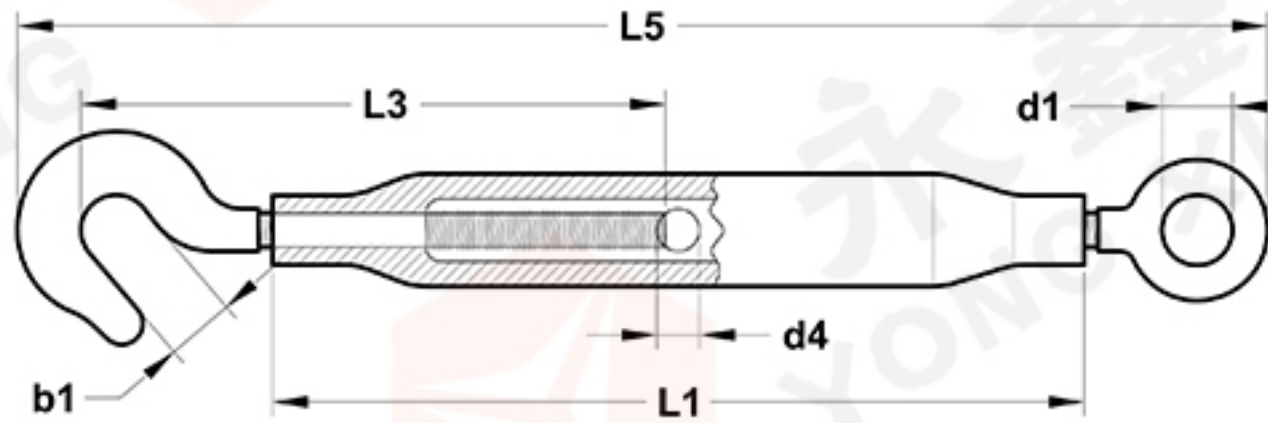
DIN1478 RIGGING SCREWS, TYPE JAW AND EYE

ITEM NO.	SIZE	WT (KG)	DIMENSIONS (MM)										
			M	A	D	E	H	L	L1	F	D	N CLOSED	O OPEN
YXR1218-01	M6	0.18	M6×1	110	15	6	9	21	14	6	5	197	307
YXR1218-02	M8	0.363	M8×1.25	110	17	8.5	9	21	20	8	6.5	223	333
YXR1218-03	M10	0.455	M10×1.5	125	21	8.5	11	21	25	8	8	256	381
YXR1218-04	M12	0.935	M12×1.75	125	25	10.5	19	35	36	11	10	370	495
YXR1218-05	M16	1.277	M16×2	170	30	10.5	22	51	40	14	12	393	563
YXR1218-06	M20	2.114	M20×2.5	200	33.5	12.5	22	48	55	16	16	413	613
YXR1218-07	M22	3.33	M22×2.5	220	33.5	12.5	25	60	55	17	20	501	721
YXR1218-08	M24	4.354	M24×3	255	42	12.5	32	65	57	19	22	589	844
YXR1218-09	M27	5.35	M27×3	255	42	14.5	32	65	57	20	22	593	848
YXR1218-10	M33	7.43	M33×3.5	255	57	16.5	38	76	64	25	24	645	900
YXR1218-11	M36	8.63	M36×4	295	63	16.5	38	76	75	26	27	655	950
YXR1218-12	M42	16.4	M42×4.5	330	70	20.5	47	111	84	27	35	691	1021
YXR1218-13	M48	19.94	M48×5	355	83	20.5	51	121	94	37	42	813	1168

◆ Minimum Ultimate Load is 4 times the Working Load Limit.



YXR1219



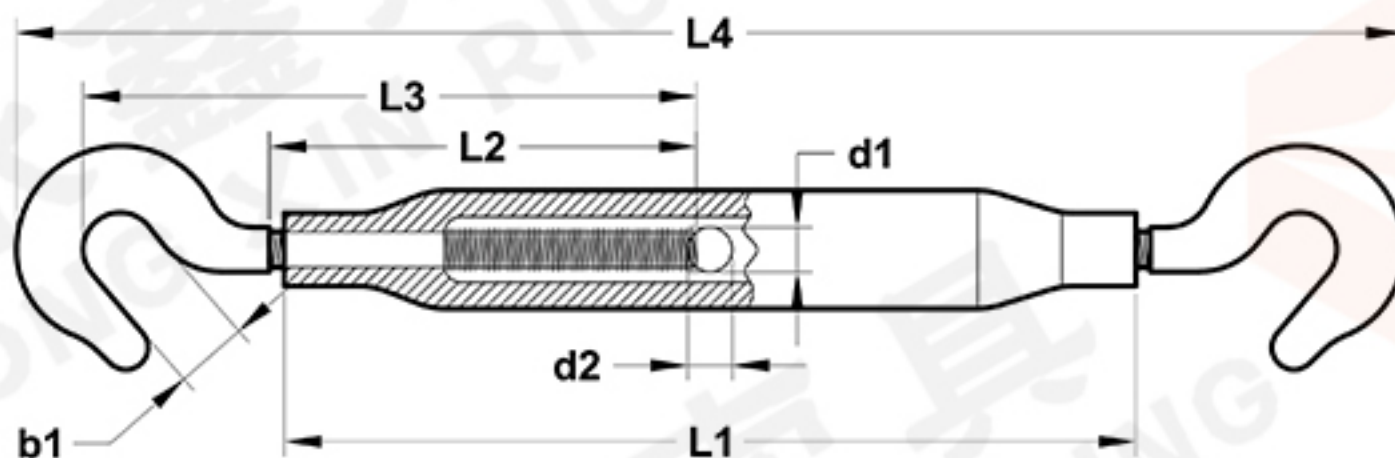
DIN1478 RIGGING SCREWS, TYPE EYE AND HOOK

ITEM NO.	SIZE	WEIGHT PER 100PCS (KG)	DIMENSIONS (MM)							TOTAL LENGTH SCREWED IN L5
			BODY LENGTH L1	ADJUSTABLE	D4	HOOK		EYE		
						L3	B1	L3	D1	
YXR1219-01	M6	11.6	110	90	6	85	8.5	80	9	172
YXR1219-02	M8	19	110	85	8	85	11	84	10	182
YXR1219-03	M10	31	125	95	8	112	13.5	105	14	213
YXR1219-04	M12	42	125	90	10	117	15.5	115	16	238
YXR1219-05	M16	89	170	120	10	138	19	165	22	320
YXR1219-06	M20	158	200	140	12	170	20.5	167	24	367
YXR1219-07	M24	292	255	180	12	205	26	205	27	447
YXR1219-08	M30	430	255	160	16	225	33	255	31	512
YXR1219-09	M36	605	295	180	16	255	44	276	43	568
YXR1219-10	M42	1160	330	200	20	340	48	260	49	683
YXR1219-11	M48	1600	355	210	20	360	58	300	58	755

◆ Minimum Ultimate Load is 4 times the Working Load Limit.



YXR1220



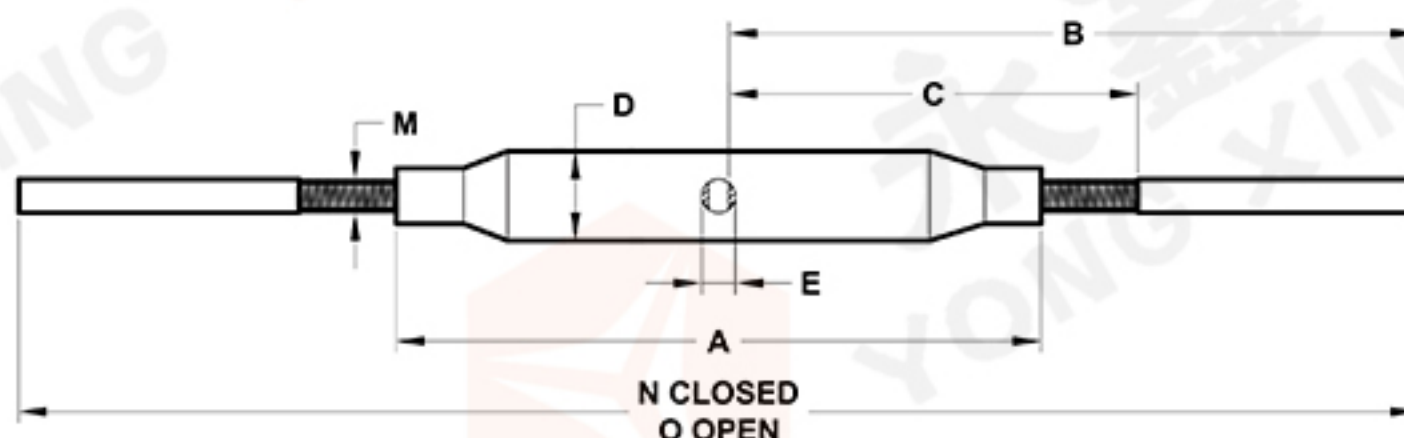
DIN1478 RIGGING SCREWS, TYPE HOOK AND HOOK

ITEM NO.	SIZE	WT (KG)	DIMENSIONS (MM)							
			D1	L1	L2	L3	L4 MIN.	L4 MAX.	B1	D2
YXR1220-01	M6	0.16	M6×1	110	50	77	160	250	9.5	6
YXR1220-02	M8	0.2	M8×1.25	110	60	98	204	289	11	8
YXR1220-03	M10	0.3	M10×1.5	125	73	116	241	336	14	8
YXR1220-04	M12	0.47	M12×1.75	125	90	146	303	393	18	10
YXR1220-05	M16	1.01	M16×2	170	100	165	340	460	19	10
YXR1220-06	M20	1.4	M20×2.5	200	105	180	372	512	21	12
YXR1220-07	M24	2.86	M24×3	255	135	225	463	543	29	12
YXR1220-08	M30	4.09	M30×3	255	140	225	527	687	31	16
YXR1220-09	M36	6.85	M36×4	295	170	300	617	697	35	16

◆ Minimum Ultimate Load is 4 times the Working Load Limit.



YXR1221



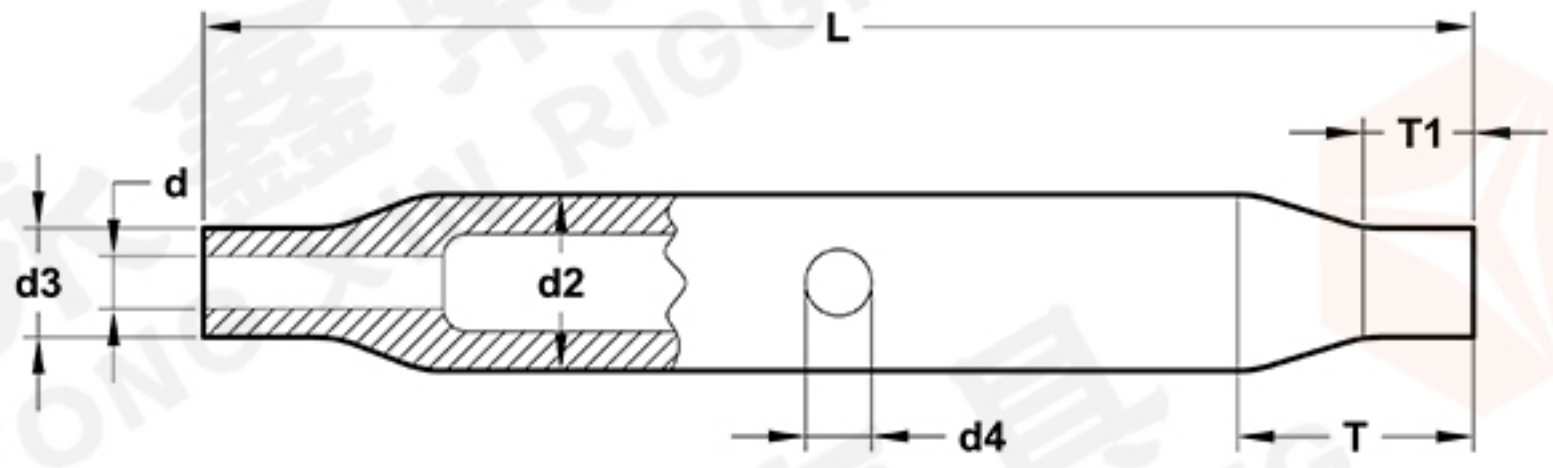
DIN1478 TURNBUCKLES WITH STUB END

ITEM NO.	SIZE	WT (KG)	DIMENSIONS (MM)							
			M	E	A	D	B	C	N CLOSED	O OPEN
YXR1221-01	M6	0.14	M6×1	6	110	15	120	65	240	340
YXR1221-02	M8	0.18	M8×1.25	8.5	110	17	120	65	240	340
YXR1221-03	M10	0.32	M10×1.5	8.5	125	21	150	75	300	410
YXR1221-04	M12	0.45	M12×1.75	10.5	125	25	150	75	300	410
YXR1221-05	M16	0.9	M16×2	10.5	170	30	200	100	400	550
YXR1221-06	M20	1.5	M20×2.5	12.5	200	33.5	220	120	400	615
YXR1221-07	M24	2.75	M24×3	12.5	255	42	260	150	520	740
YXR1221-08	M30	3.94	M30×3	14.5	255	55	260	160	520	740
YXR1221-09	M36	6.75	M36×4	16.5	295	70	300	190	600	850

◆ Minimum Ultimate Load is 4 times the Working Load Limit.



YXR1222



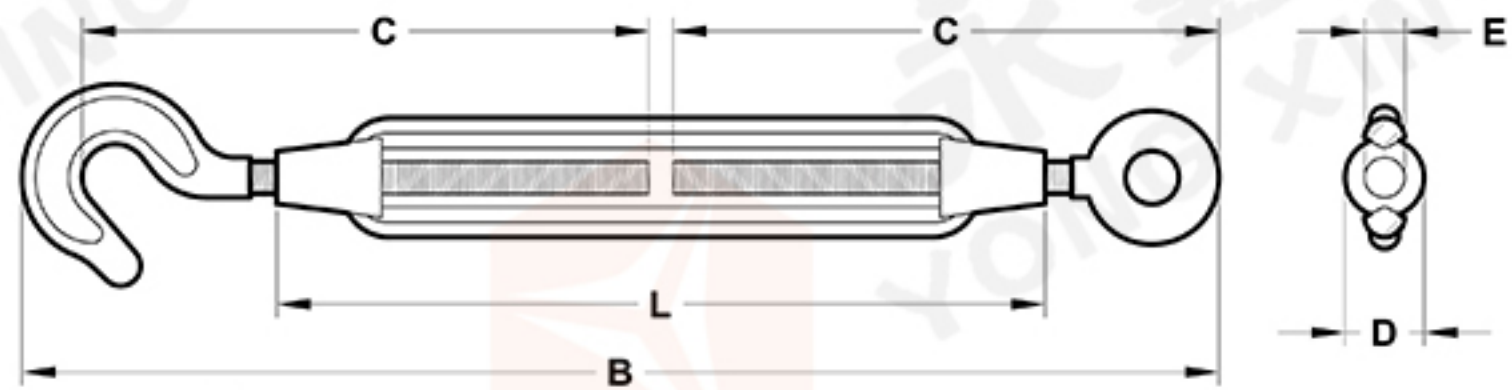
DIN1478 CLOSED TURNBUCKLE BODY

ITEM NO.	SIZE (D)	WLL (KG)	WT (KG)	DIMENSIONS (MM)					
				D2	D3	D4	L	T	T1
YXR1222-01	M6	225	0.1	17.2	9	6	110	9.5	7.8
YXR1222-02	M8	410	0.09	17.2	12	8	110	12	10
YXR1222-03	M10	650	0.19	21.3	15	8	125	14	12
YXR1222-04	M12	930	0.27	25	18	10	125	17	15
YXR1222-05	M16	1170	0.51	30	22.5	10	170	22	20
YXR1222-06	M20	2700	0.62	33.7	27	12	200	26	24
YXR1222-07	M24	3920	1.15	42.4	32	12	255	31	29
YXR1222-08	M30	6250	1.57	51	38	16	255	38	36
YXR1222-09	M36	9100	3.16	63.5	47.5	16	295	46	43
YXR1222-10	M42	12500	4.33	70	57	20	330	54	51
YXR1222-11	M48	16500	5.78	82.5	63	20	355	61	58

◆ Minimum Ultimate Load is 4 times the Working Load Limit.



YXR1223



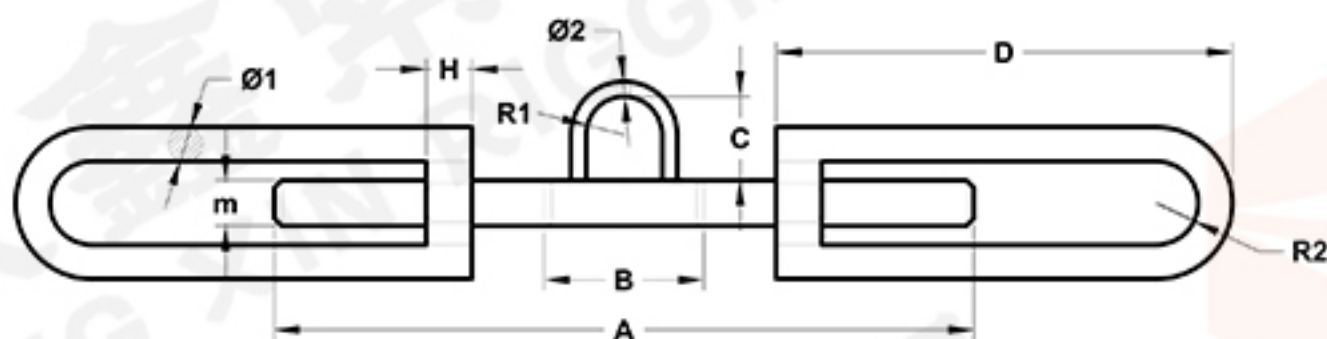
COMMERCIAL TYPE MALLEABLE TURNBUCKLES WITH EYE AND HOOK

ITEM NO.	SIZE (MM)	WLL (KG)	WT (LBS.)	DIMENSIONS (MM)				
				B	C	D	E	L
YXR1223-01	6 × 100	100	0.35	145	215	12	10	100
YXR1223-02	8 × 125	200	0.53	185	280	14	12	125
YXR1223-03	10 × 150	300	0.79	210	325	16	14	150
YXR1223-04	12 × 200	500	1.41	275	430	19	18	200
YXR1223-05	16 × 250	1000	3.18	345	540	23	24	250
YXR1223-06	20 × 300	1500	4.96	435	670	28	26	300
YXR1223-07	22 × 330	2200	7.79	480	740	34	32	330
YXR1223-08	24 × 350	3000	9.58	555	830	36	36	350

◆ Minimum Ultimate Load is 4 times the Working Load Limit.



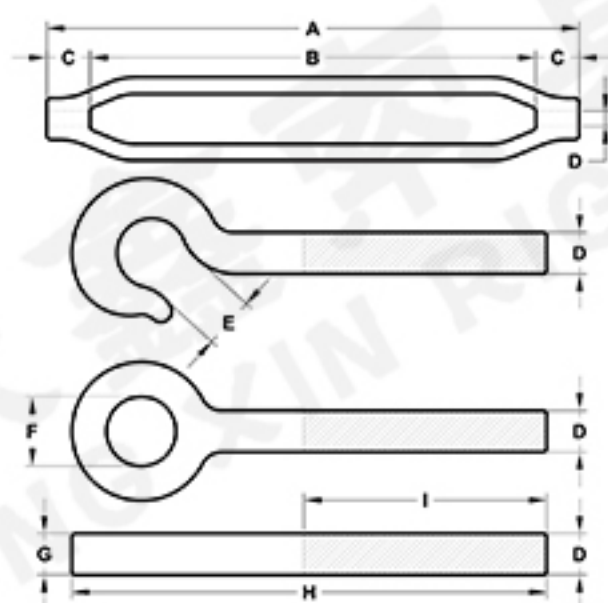
YXR1224



HAMBURGER TURNBUCKLE / DEE-DEE TURNBUCKLE

ITEM NO.	SIZE (M)	BL (T)	WT (KG)	DIMENSIONS (MM)								
				A	B	C	D	H	1	2	R1	R2
YXR1224-01	M24	13	2.9	400	75	35	210	22	16	12	15	20
YXR1224-02		18	2.9	400	75	35	210	36	18	12	15	20
YXR1224-03	M24	13	3.4	500	75	35	260	22	16	12	15	20
YXR1224-04		18	3.4	500	75	35	260	36	18	12	15	20
YXR1224-05	M27	20	4	400	75	35	210	33	20	12	17.5	21.5
YXR1224-06		25	4	400	75	35	210	42	20	12	17.5	21.5
YXR1224-07	M27	20	4.6	500	75	35	260	33	20	12	17.5	21.5
YXR1224-08		25	4.6	500	75	35	260	42	20	12	17.5	21.5
YXR1224-09	M30	-	4.5	400	75	35	210	-	-	12	22.5	25.5
YXR1224-10		25	4.5	400	75	35	210	45	22	12	22.5	25.5
YXR1224-11	M30	-	5.5	500	75	35	260	-	-	12	22.5	25.5
YXR1224-12		25	5.5	500	75	35	260	45	22	12	22.5	25.5
YXR1224-13	M38	30	7.8	480	80	35	255	40	25	12	28	28
YXR1224-14		-	9	480	80	35	-	-	-	-	-	-

◆ Minimum Ultimate Load is 4 times the Working Load Limit.



JIS FRAME TYPE TURNBUCKLE



YXR1225

ITEM NO.	SIZE (D)	BODY ONLY						EYE & EYE			HOOK & EYE		HOOK & HOOK			WITH STUBS				
		A	B	C	T.L	WT	F	T.L	WT	T.L	WT	E	T.L	WT	H	I	G	WT		
YXR1225-01	mm	in	mm	in	mm	mm	Ton	kg	mm	Ton	kg	Ton	kg	mm	Ton	kg	mm	mm	mm	kg
YXR1225-02	6	1/4	100	4	78	11	1	0.08	10	0.1	0.12	0.04	0.11	9	0.04	0.11	80	50	5.3	0.11
YXR1225-03	8	5/16	125	5	100	12.5	1.2	0.15	12	0.2	0.22	0.08	0.22	9	0.08	0.22	100	63	6.9	0.22
YXR1225-04	9	3/8	150	6	120	12.5	1.5	0.17	16	0.5	0.3	0.15	0.29	11	0.15	0.29	130	75	8.3	0.27
YXR1225-05	12	1/2	200	8	164	18	2	0.29	20	2	0.58	0.35	0.59	16	0.35	0.57	150	100	11.2	0.51
YXR1225-06	16	5/8	250	10	202	21.5	3	0.52	22	3	1.07	0.7	1.05	19	0.7	1.03	180	125	14.2	0.95
YXR1225-07	19	3/4	300	12	250	25	4	0.85	28	4	1.77	1	1.78	20	1	1.77	220	150	17.2	1.62
YXR1225-08	22	7/8	325	13	269	28	5	1.17	33	5	2.55	1.5	2.58	21	1.5	2.6	250	165	20.3	2.34
YXR1225-09	25	1	350	14	285	32.5	6	1.69	35	6	3.79	2	3.77	26	2	3.72	270	175	23.3	3.27
YXR1225-10	32	1-1/4	400	16	310	45	8	3.51	36*70	10	7.6	3	7.52	34	3	7.44	300	200	29	6.52
YXR1225-11	38	1-1/2	450	18	350	55	10	5.08	40*80	15	13.5	4	12.8	35	4	22	330	225	38	13
YXR1225-12	44	1-3/4	500	20	386	57	-	9	-	-	-	-	-	-	-	22	-	250	44	-
YXR1225-13	50	2	550	22	420	65	-	11.5	-	-	-	-	-	-	-	29	-	275	50	-

◆ Minimum Ultimate Load is 4 times the Working Load Limit.

OTHER TURNBUCKLES

