

PERMANENT MAGNETIC LIFTER

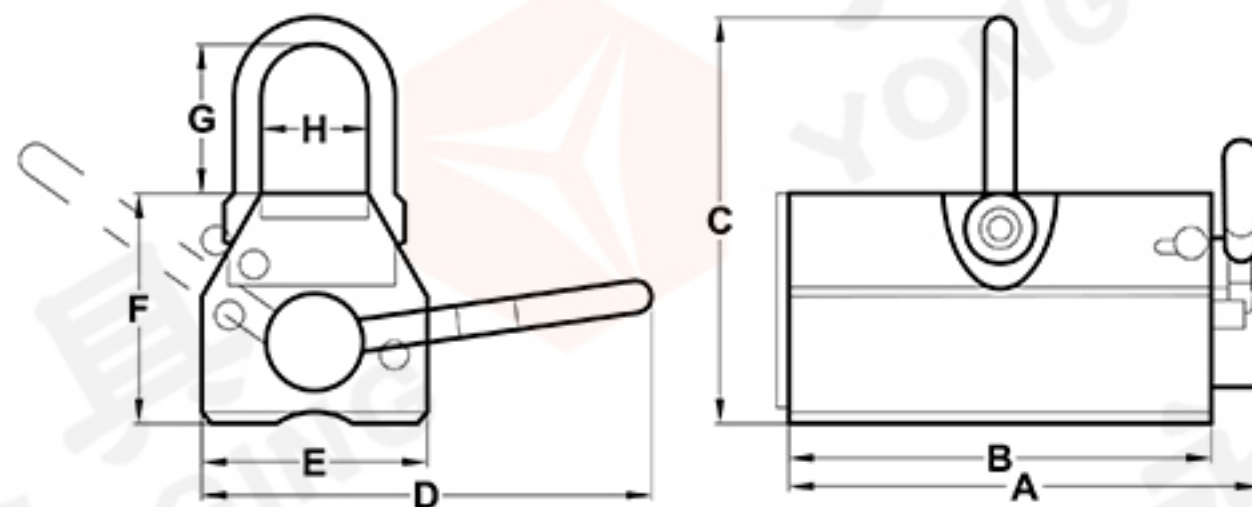


YXR1082

ITEM NO.	RATED CAPACITY (KG)	MAX. DRAG FORCE (KG)	N.W (KG)	DIMENSIONS (MM)			
				L	B	H	R
YXR1082-01	100	300	3	90	63	68	145
YXR1082-02	400	1200	11	160	95	180	160
YXR1082-03	600	1800	20	220	115	125	230
YXR1082-04	1000	3000	40	260	145	145	280
YXR1082-05	1500	3750	48	310	145	145	280
YXR1082-06	2000	5000	60	340	165	165	280
YXR1082-07	3000	7500	90	420	185	185	410
YXR1082-08	4000	10500	120	480	200	200	510
YXR1082-09	5000	15000	400	580	300	300	650



YXR1083



PERMANENT MAGNETIC LIFTER

ITEM NO.	RATED CAPACITY (KG)	MAX. DRAG FORCE (KG)	N.W (KG)	DIMENSIONS (MM)							
				A	B	C	D	E	F	G	H
YXR1083-01	100	220	3	107	84	120	125	60	71	41	30
YXR1083-02	300	660	11	180	155	156	185	90	93	51	41
YXR1083-03	600	1320	20	255	224	212	260	115	120	77	52
YXR1083-04	1000	2200	40	280	245	286	371	165	169	97	87

LIFTING EQUIPMENT

